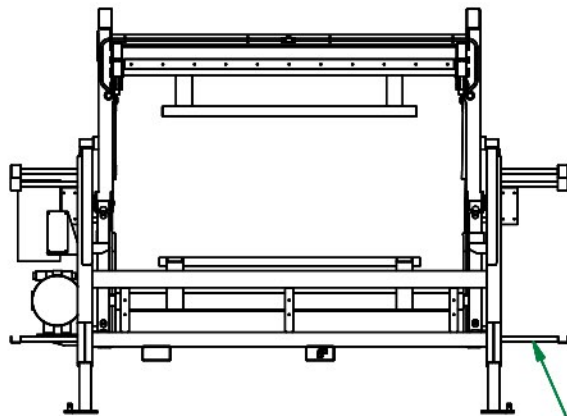
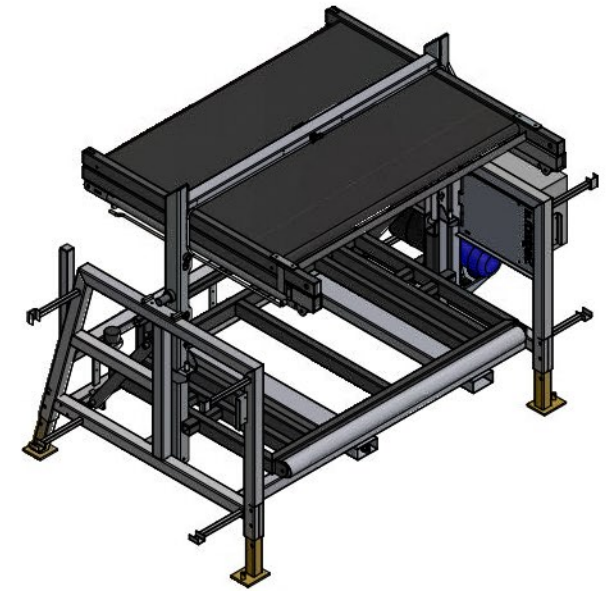
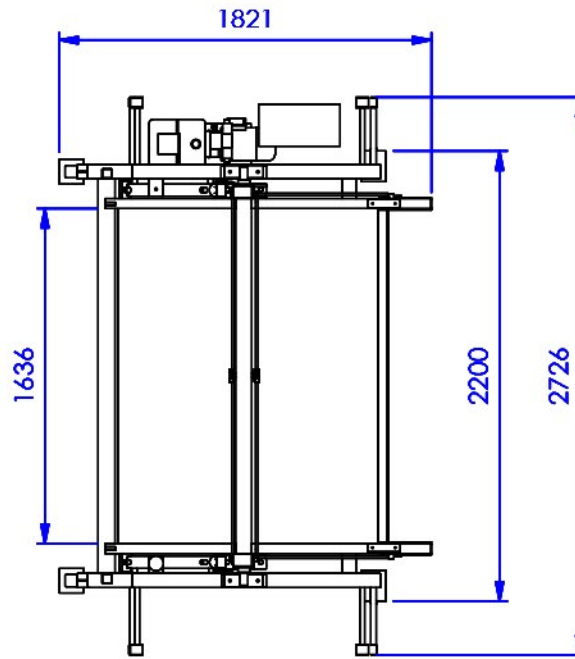
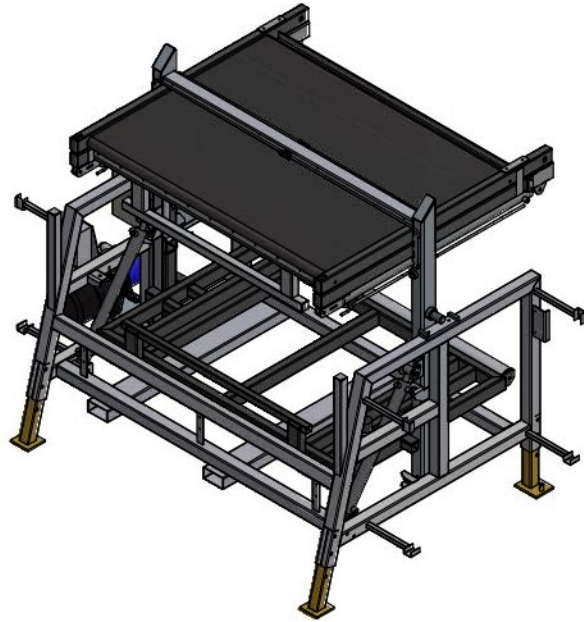
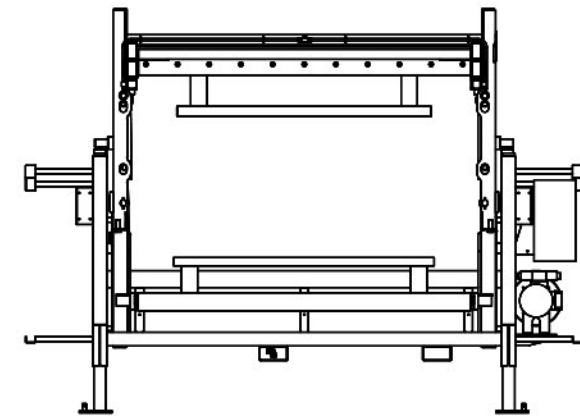
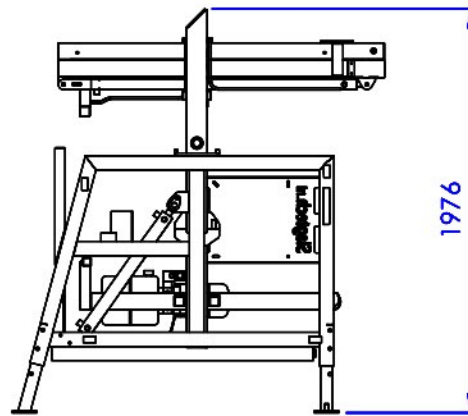


Box Tipper ZD 160



To Put Fence



Tol principle: ISO 8015		General tolerances: ISO 20768		Fit system: ISO 286		Geometrical tolerancing: ISO 1101	
		Project: -					
		Description: Box tipper ZD 160					
		Surface:		Engineer: JAJ		Scale: 1 : 37	
		Date: 20-06-2019		Sheet size: A4		00022580	
		Unit: mm		Sheet: 1 of 1		Revision: 01	