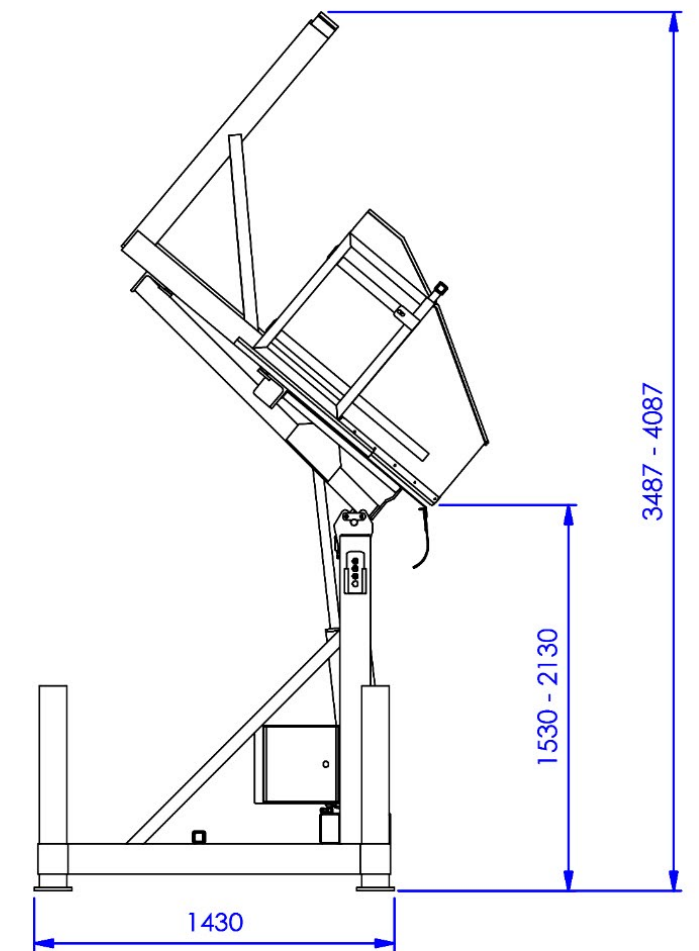
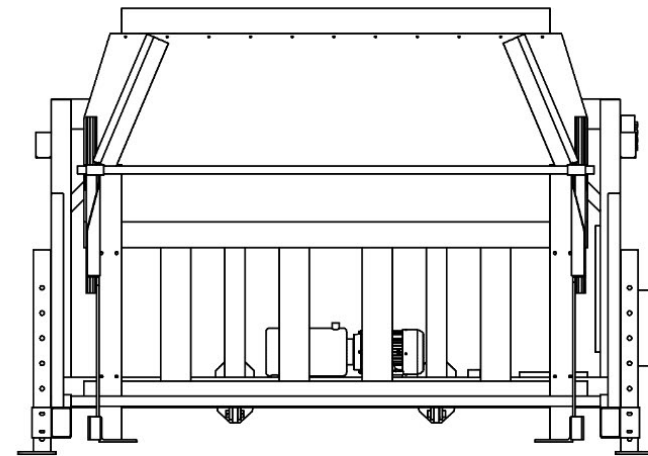
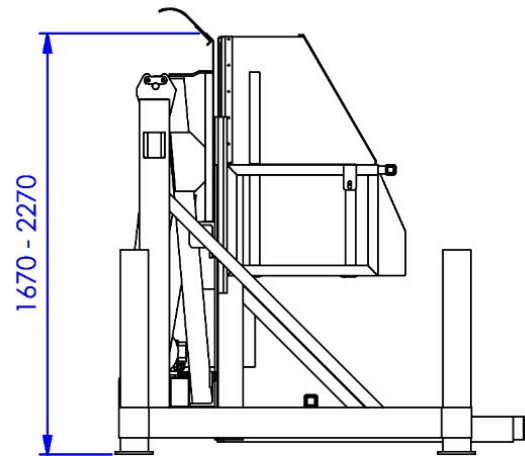
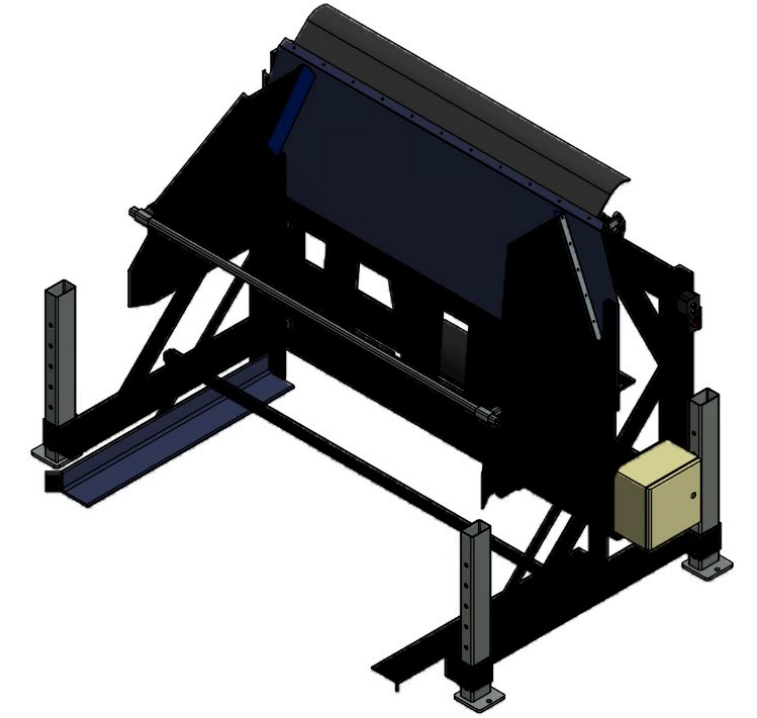
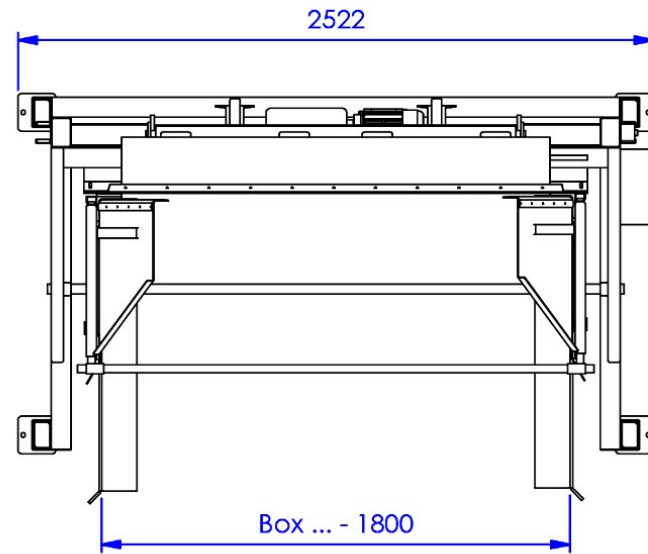
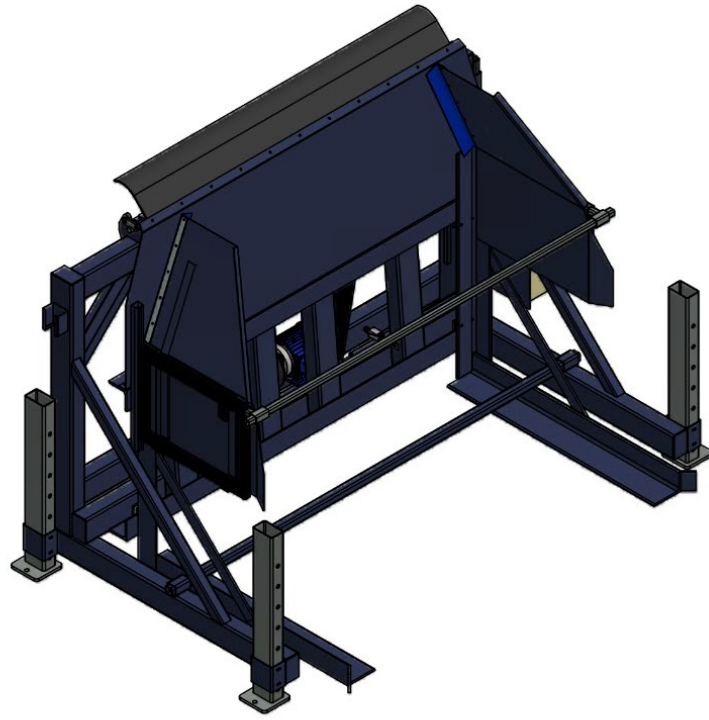



Z 180



For discussion only!  
 The dimensions are approximately.  
 We are free to resize and change the machines,  
 when we deem it necessary.

Tol principle: ISO 8015		General tolerances: ISO 20768		Fit system: ISO 286		Geometrical tolerancing: ISO 1101	
Project:		Description: <b>Z 180</b>					
Surface:		Engineer: S.laan		Scale: 1 : 30		<b>00001148</b>	
Date: 08-05-2019		Sheet size: A3		Unit: mm			
 www.allroundvp.nl		Revision: 00		Sheet: 1 of 1			