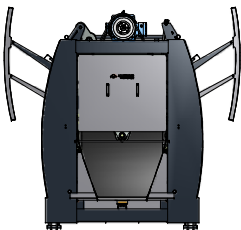
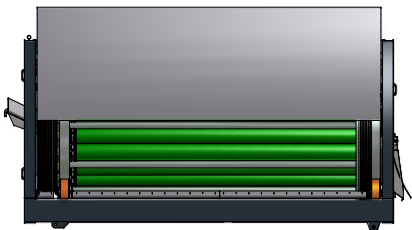
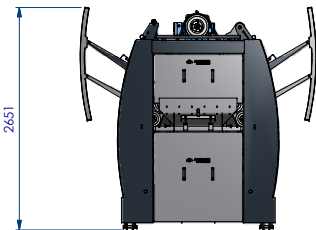
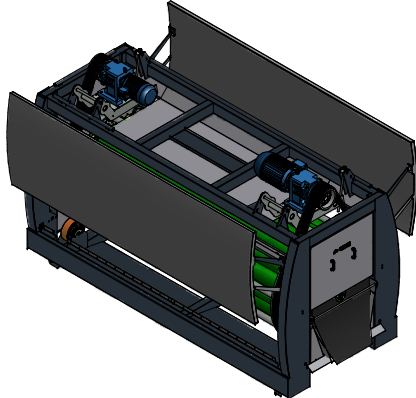
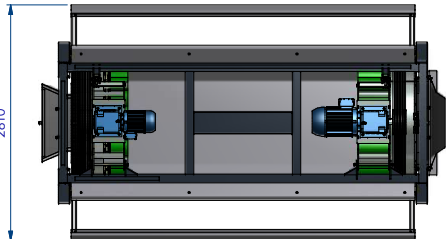
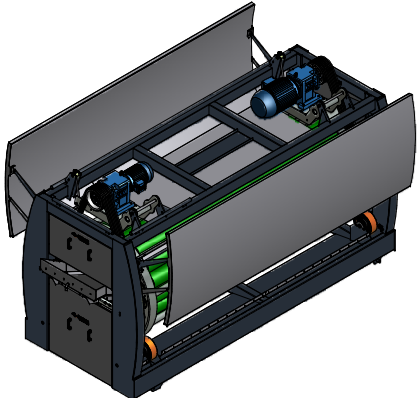
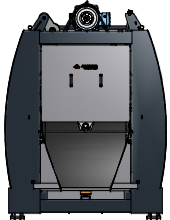
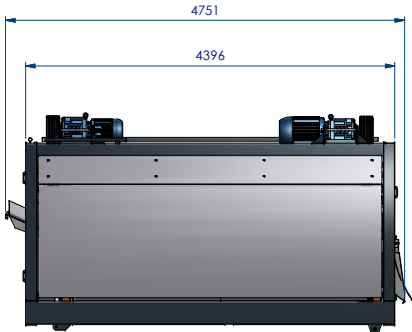
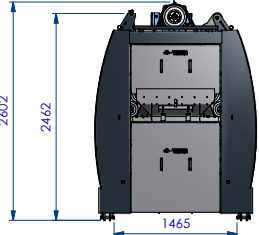
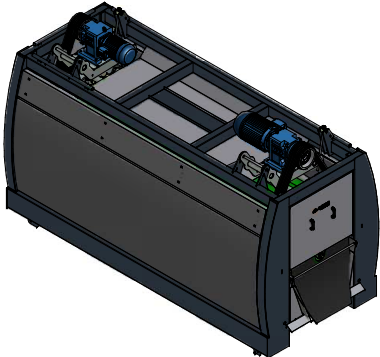
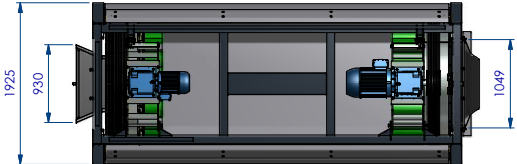


# TD 350-18



Project:	POLISHER	Scale:	1:45
Description:	POLISHER TD 350-18	Unit:	mm
Surface:		Sheet size:	A2
Color:		Drawing number:	
Engineer:	HWS	128-01-00002.idw	
Date:	20-5-2016	Sheet 1 of 7	