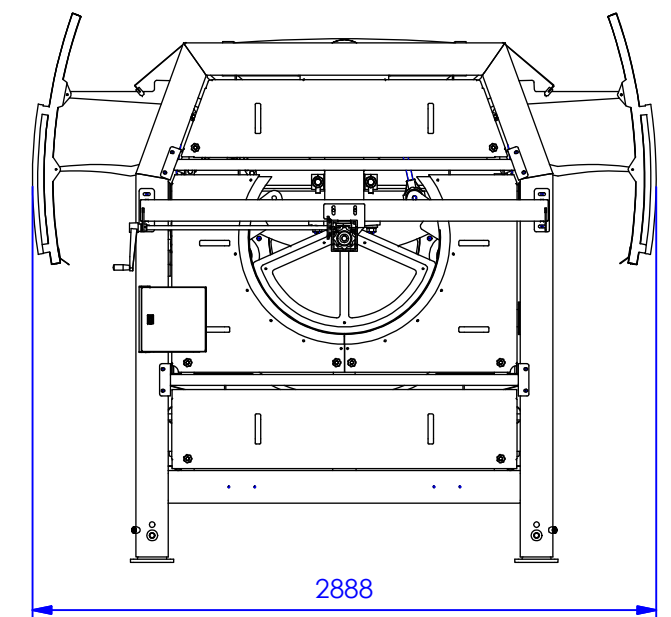
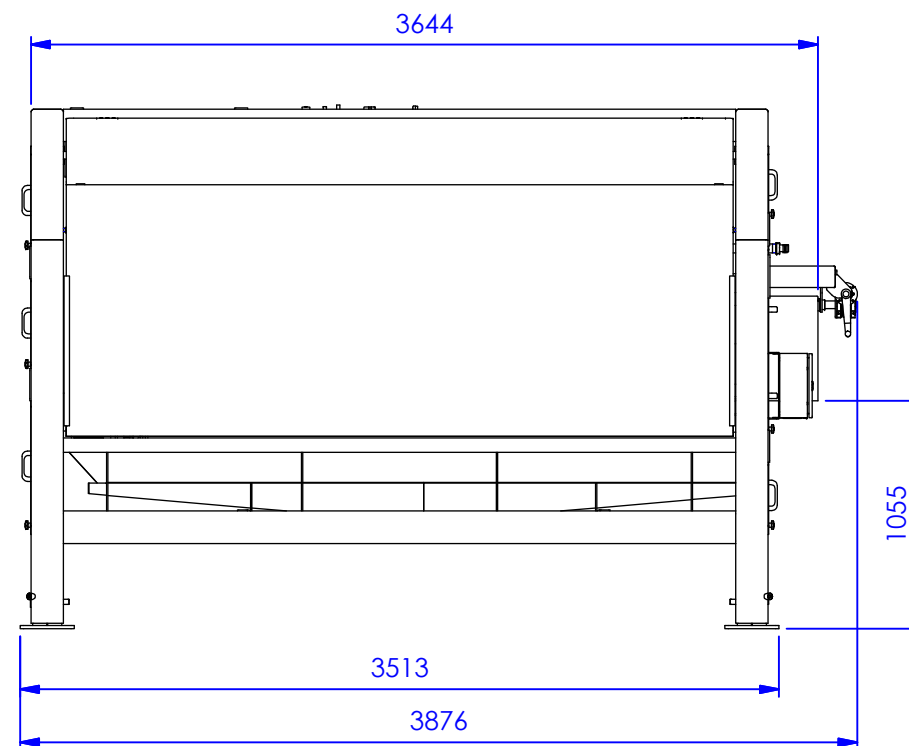
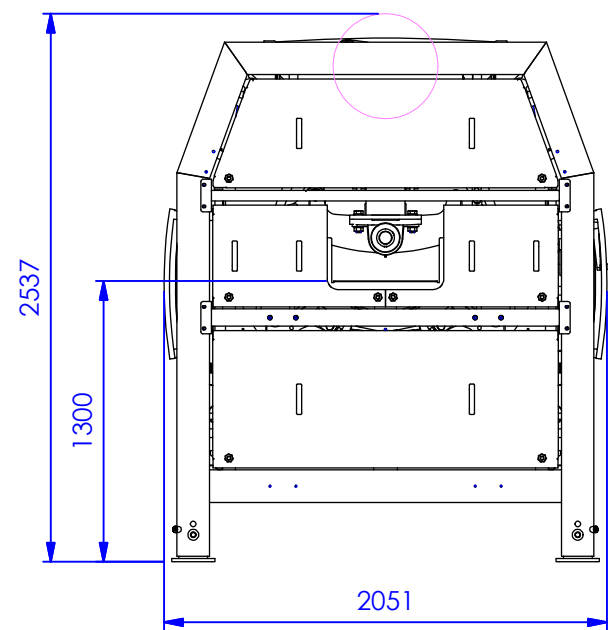
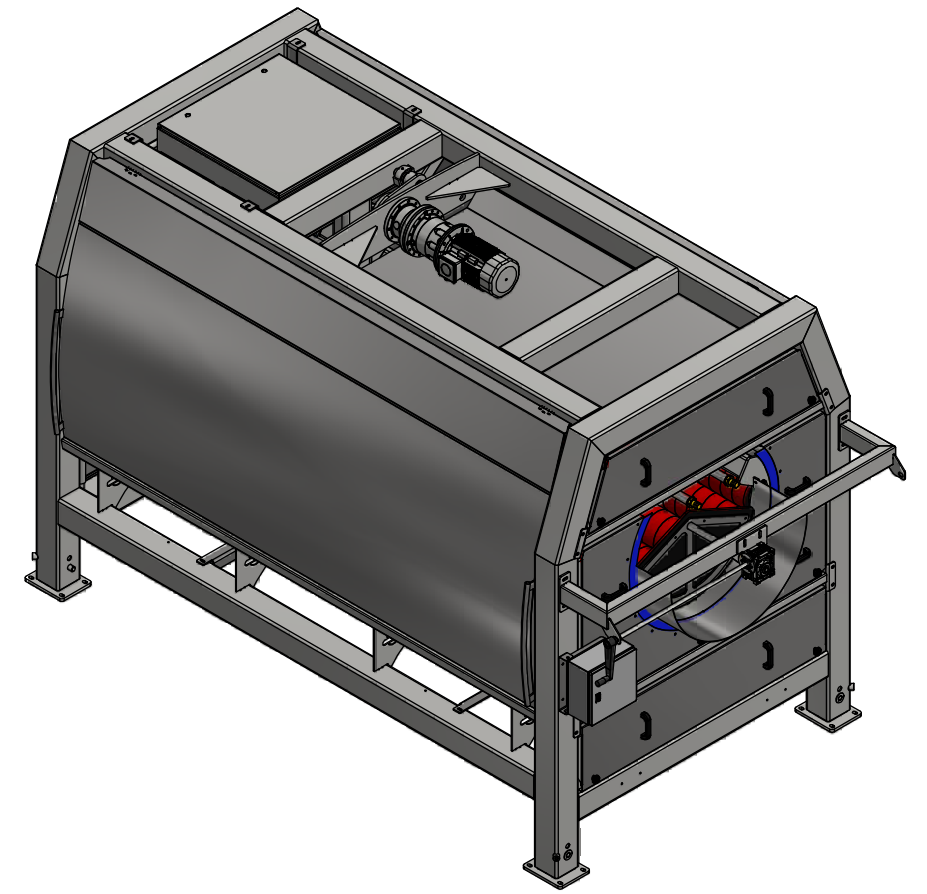
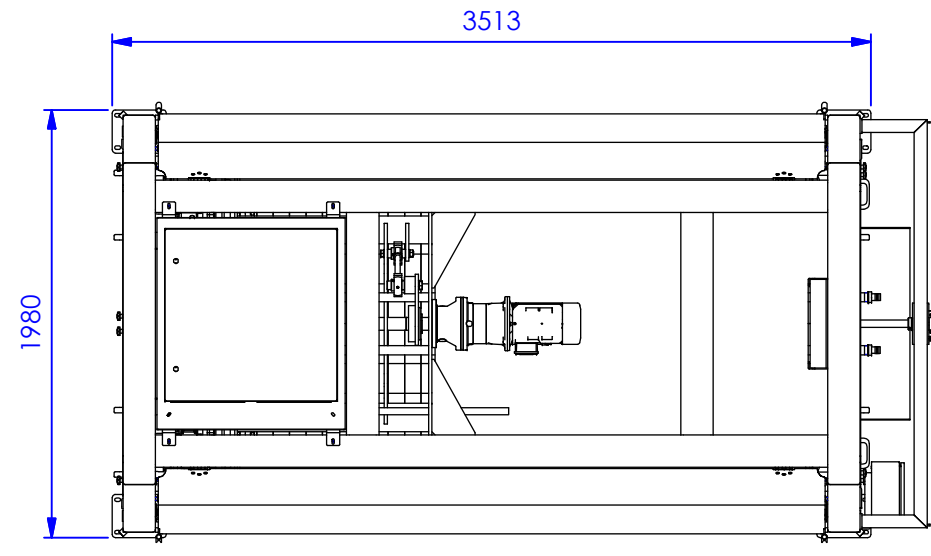
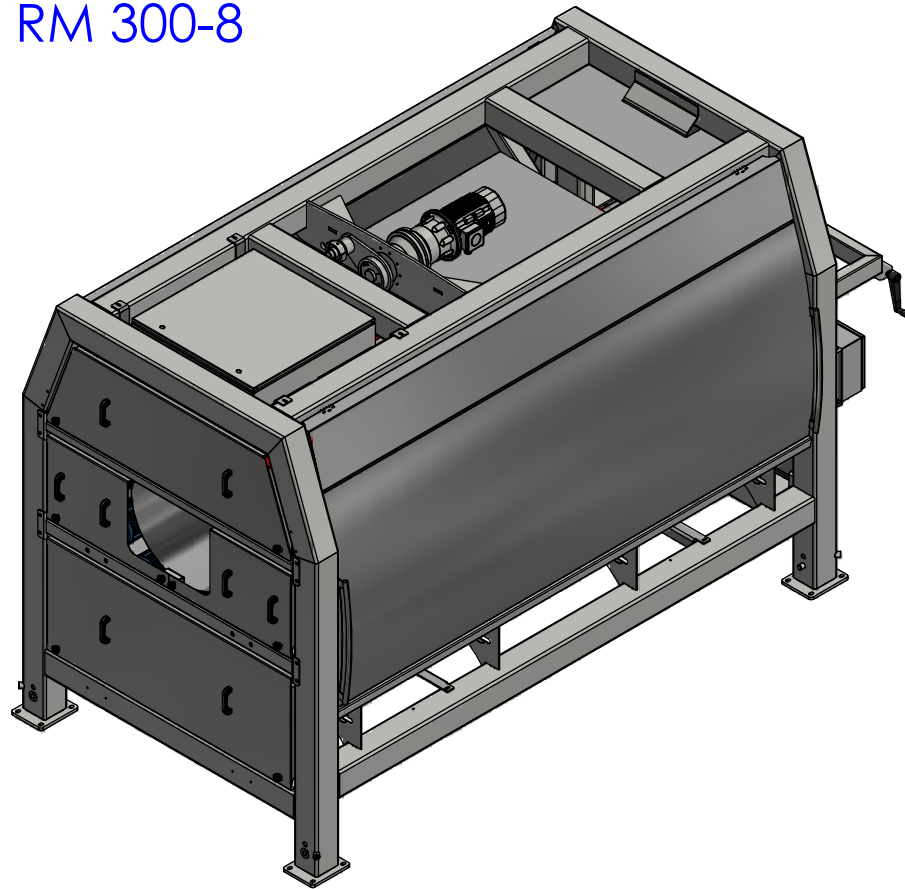


RM 300-8



For discussion only!
 The dimensions are approximately.
 We are free to resize and change the machines,
 when we deem it necessary.

Tol principle: ISO 8015	General tolerances: ISO 20768	Fit system: ISO 286	Geometrical tolerancing: ISO 1101
Project: Polisher - -			
Description: RM 300-8			
Surface: - - -			
Engineer: SRPL	Scale: 1 : 35	00107290	Revision: 00
Date: 12-10-2020	Sheet size: A3		
Unit: mm		Sheet: 1 of 5	

