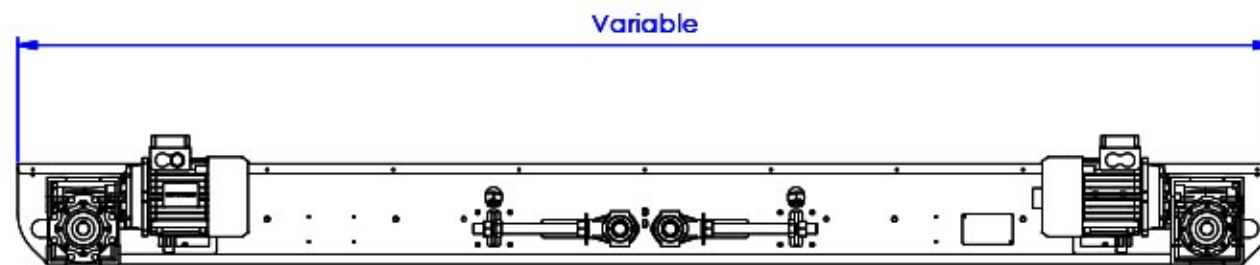
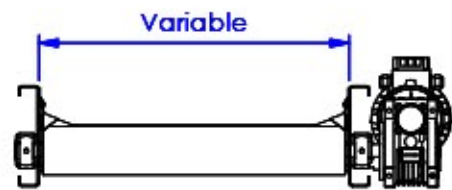
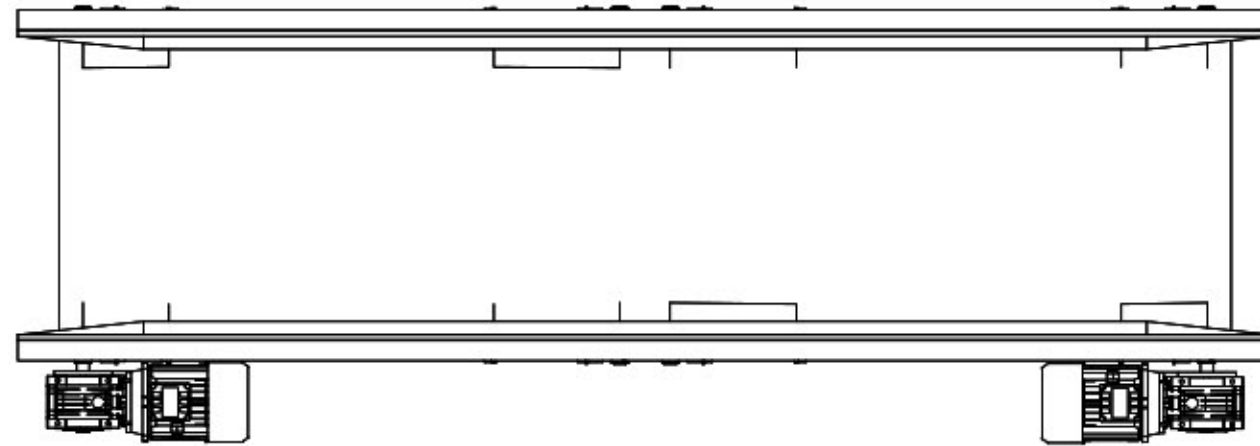
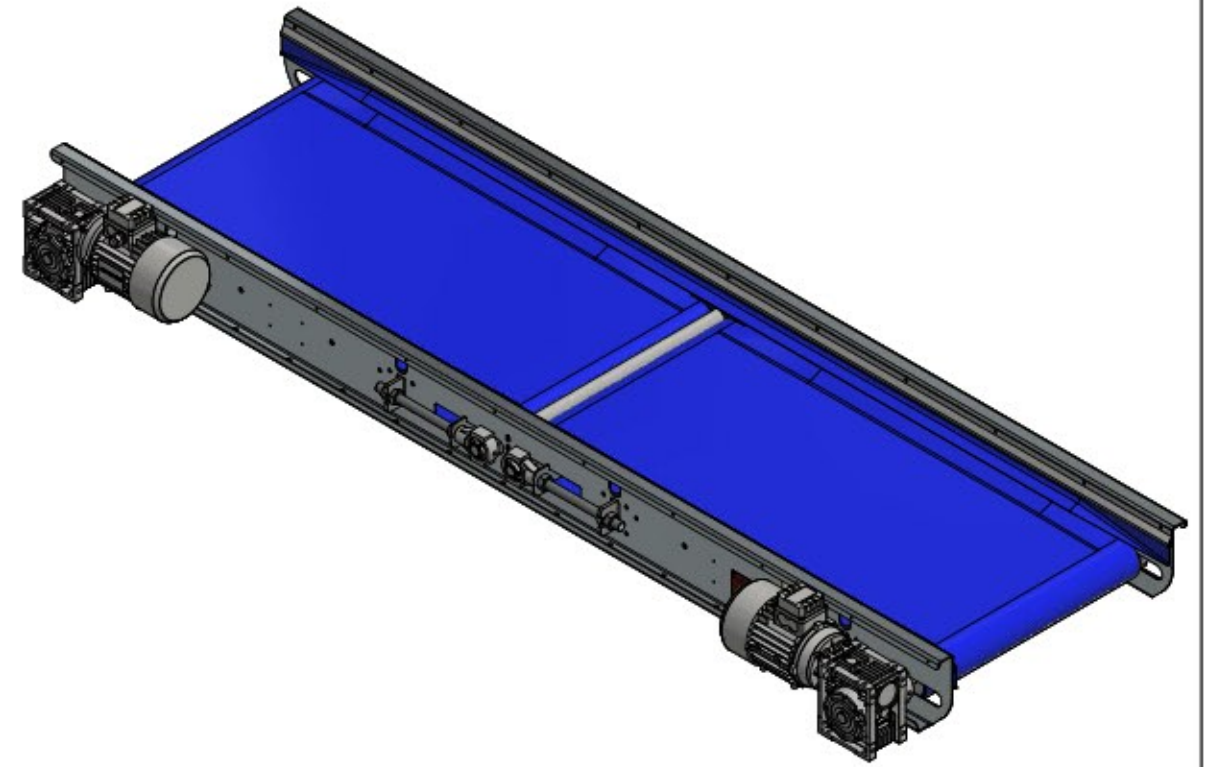
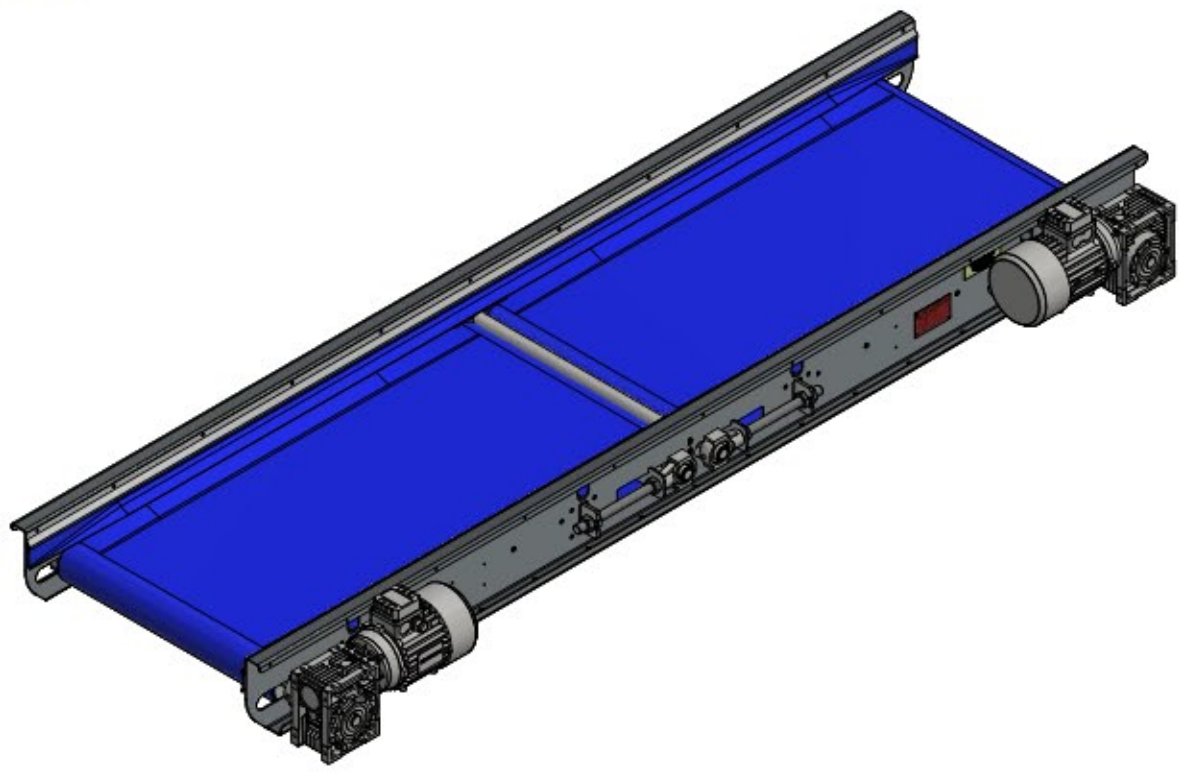



TCT



Tol principle: ISO 8015	General tolerances: ISO 20768	Fit system: ISO 286	Geometrical tolerancing: ISO 1101
			
Project: Transport belt			
Description: TCT 125-125-60			
Surface:			
Engineer: S.Jaan	Scale: 1 : 15	00001799	Revision: 01
Date:	Sheet size: A3		
Unit: mm		Sheet: 1 of 1	

