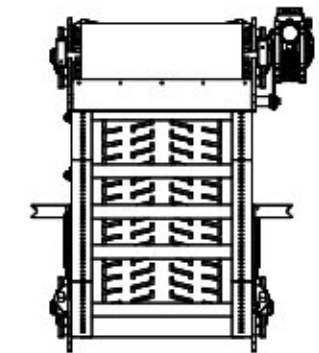
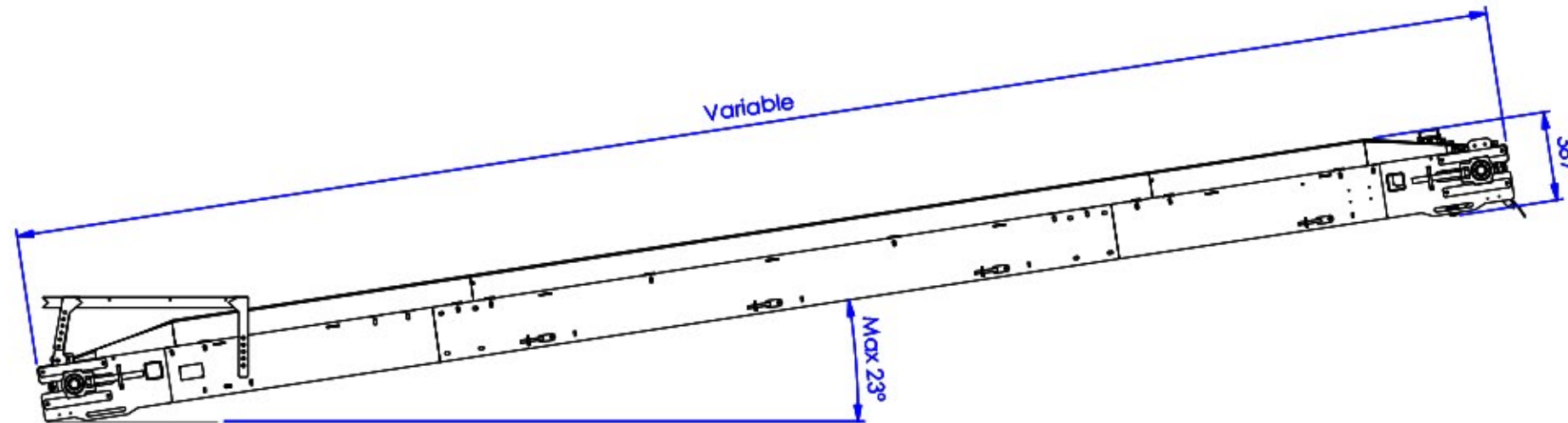
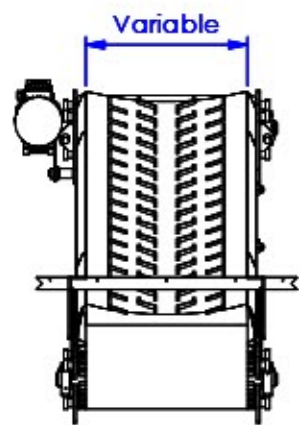
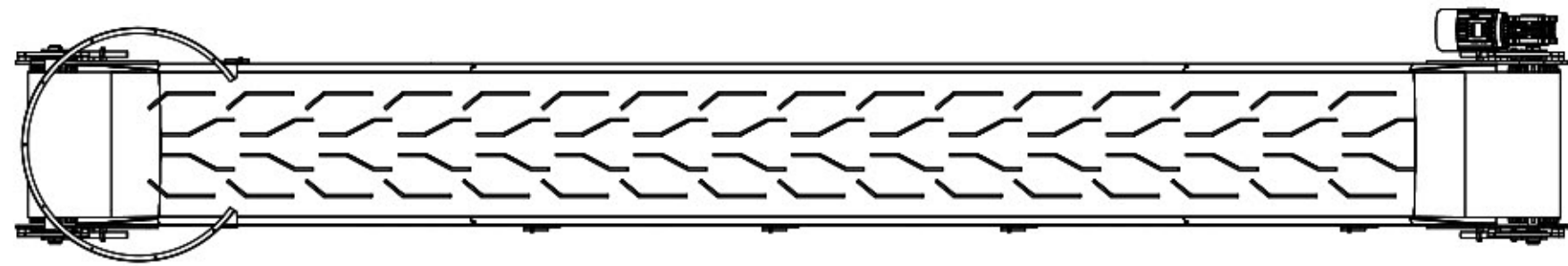
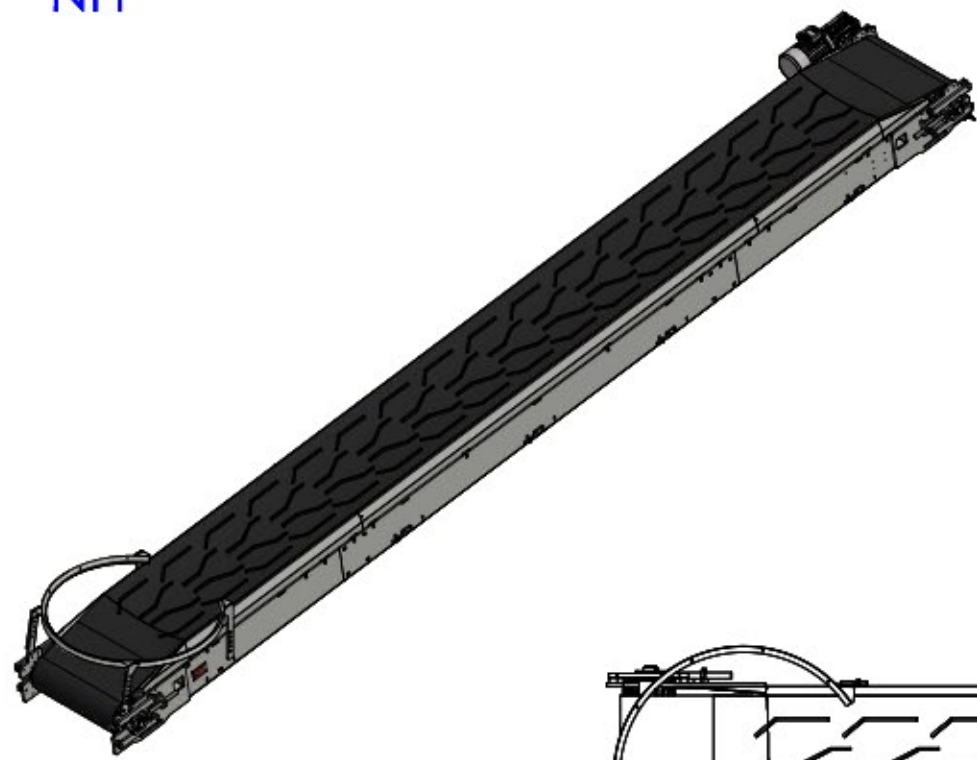



NFI



For discussion only!  
 The dimensions are approximately.  
 We are free to resize and change the machines,  
 when we deem it necessary.

Tol principle: ISO 8015	General tolerances: ISO 20768	Fit system: ISO 286	Geometrical tolerancing: ISO 1101
Project: Trough belt - -		Description: NFI 650-60	
Surface: - - -		Engineer: Rajat	Scale: 1 : 28
Date: 21-05-2020		Sheet size: A3	<b>00082069</b>
Unit: mm		Sheet: 1 of 2	
			Revision: 00