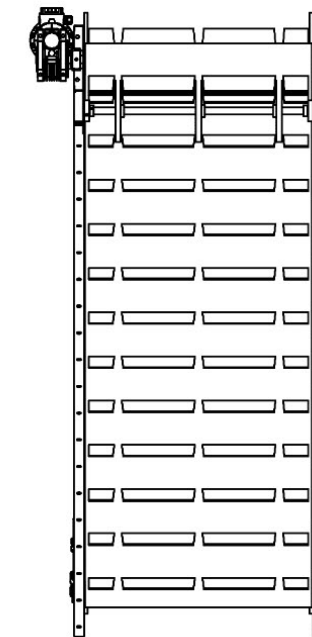
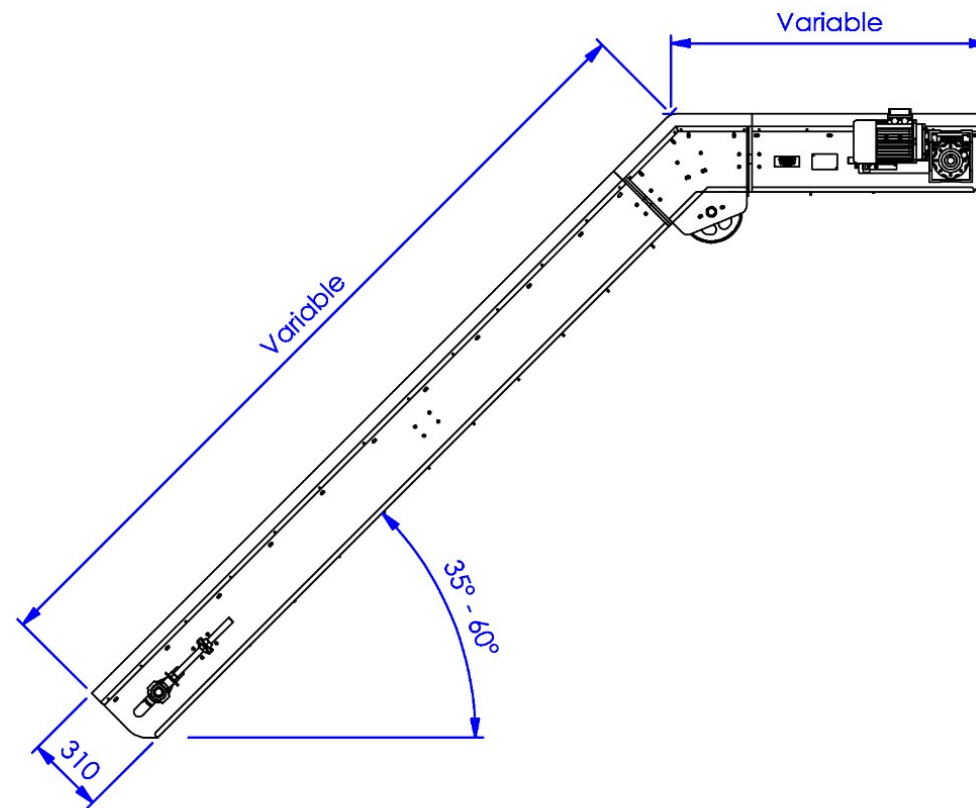
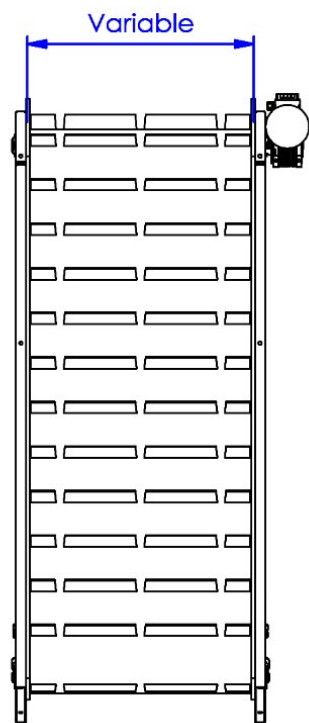
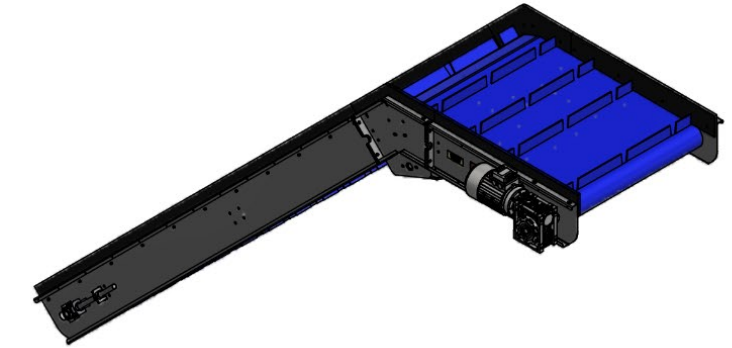
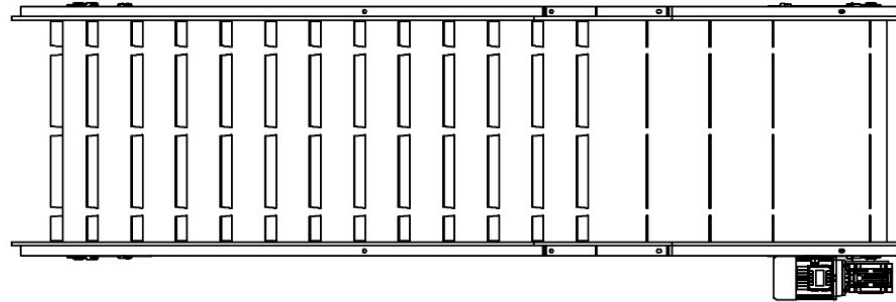
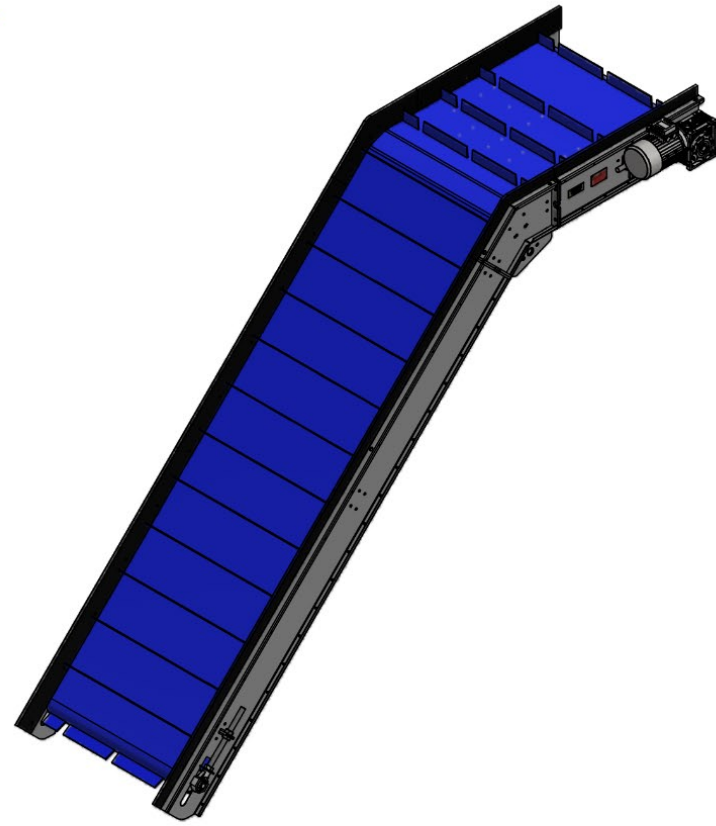


ELK



For discussion only!
 The dimensions are approximately.
 We are free to resize and change the machines,
 when we deem it necessary.

Tol principle: ISO 8015		General tolerances: ISO 20768		Fit system: ISO 286		Geometrical tolerancing: ISO 1101	
Project: Elevator		Description: ELK 325-125-90-45					
Surface:		Engineer: S.Iaan		Scale: 1 : 30		00018092	
Date: 4-6-2019		Sheet size: A3		Unit: mm			
Revision: 00		Sheet: 1 of 2					

