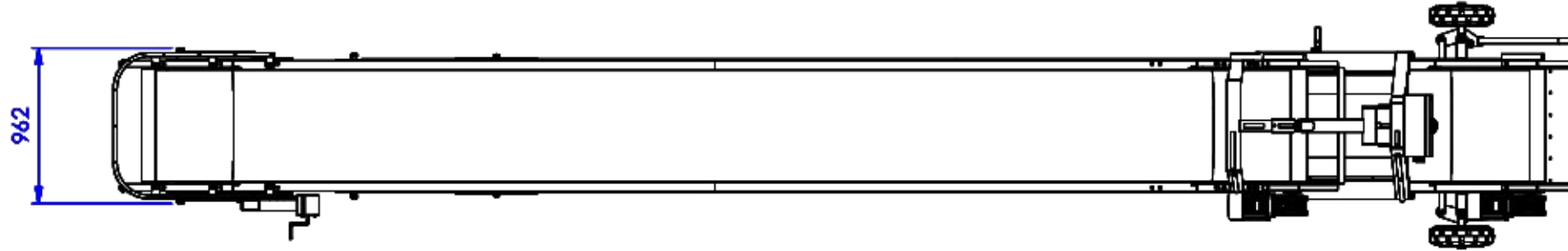
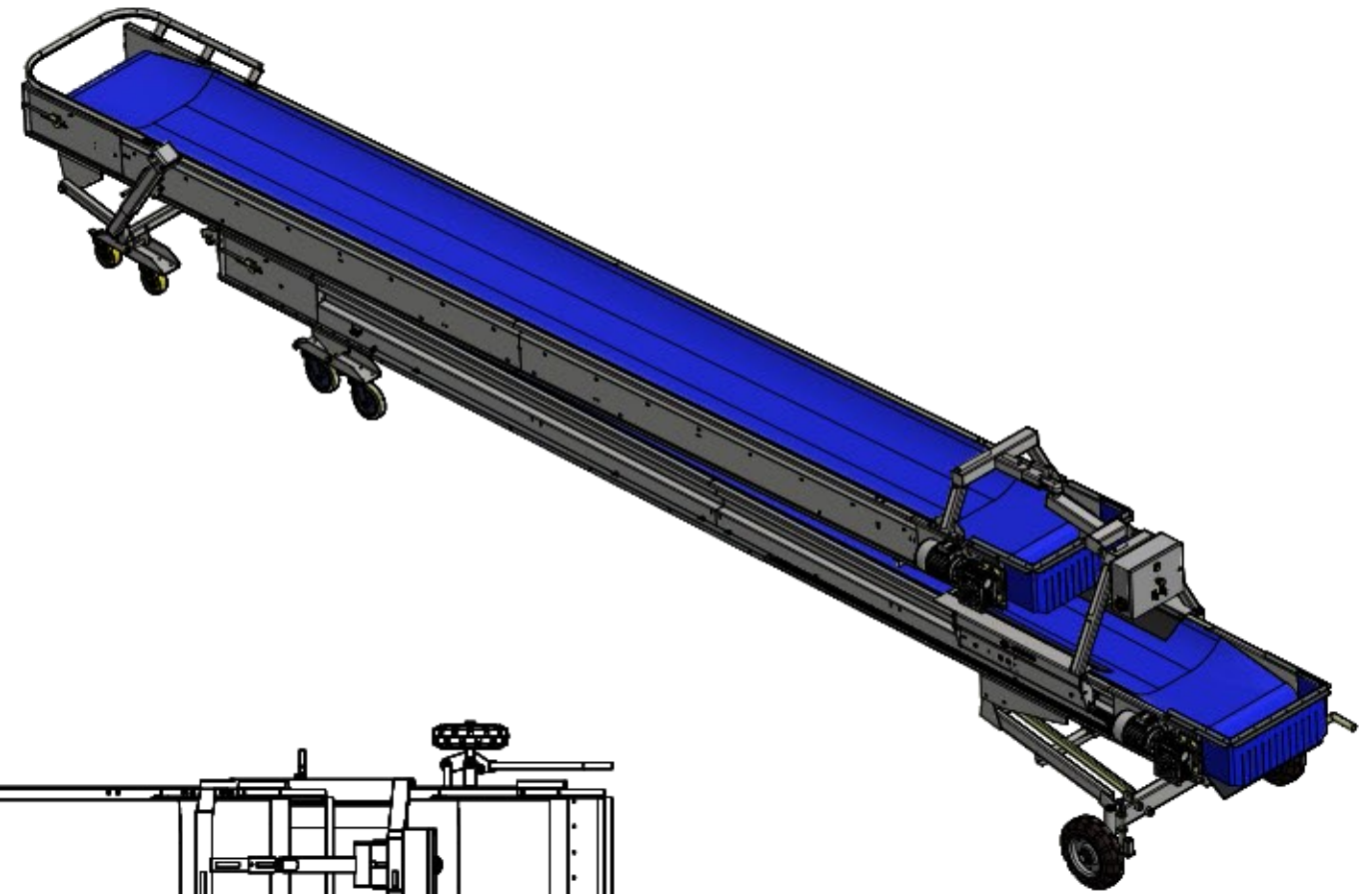
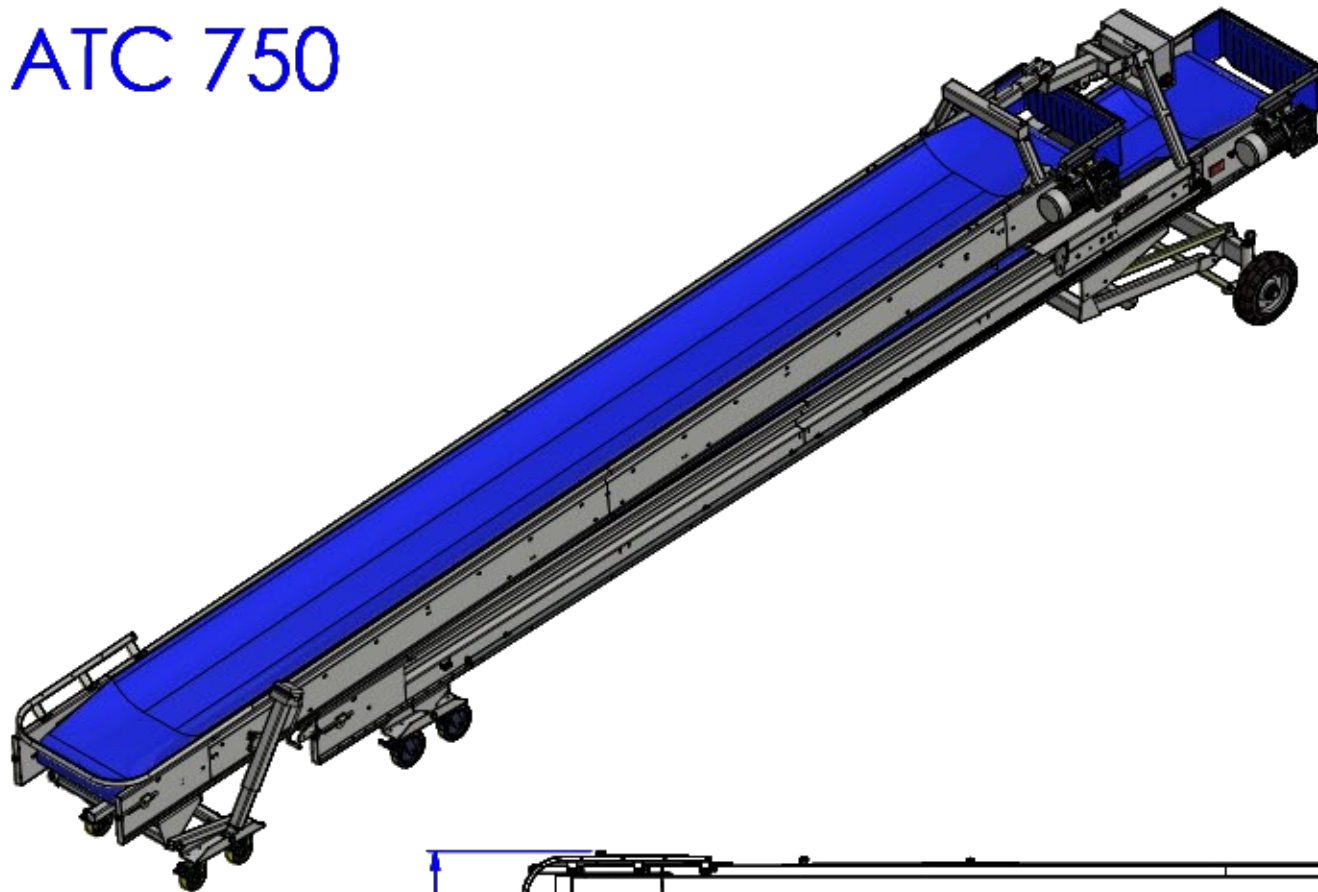
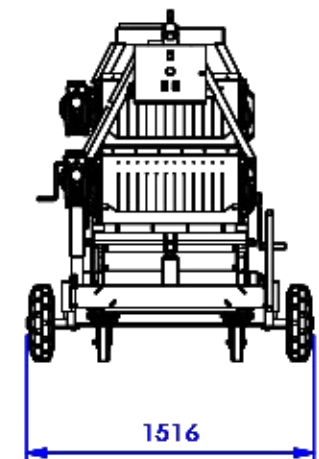
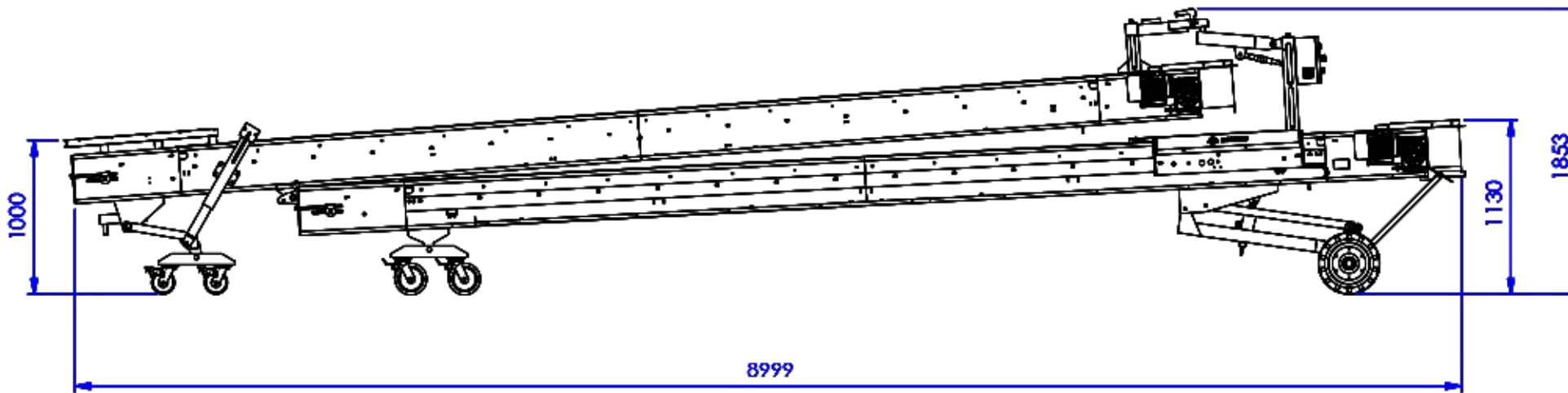
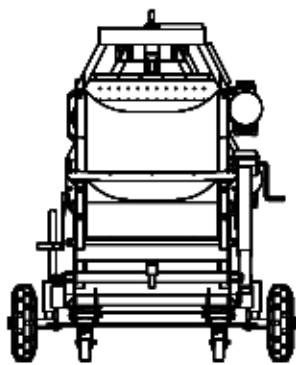


ATC 750




962



1516

For discussion only!
 The dimensions are approximately.
 We are free to resize and change the machines,
 when we deem it necessary.

Tal principle: BO 8015		General tolerances: BO 20768		Fit system: BO 286		Geometrical tolerancing: BO 1101	
Project: Duo telescopic conveyor		Description: ATC 750					
Surface: - - -		Engineer: parvinder		Scale: 1 : 40		00060719	
Date: 03-03-2020		Sheet size: A3		Unit: mm			
		Revision: 00		Sheet: 1 of 4			