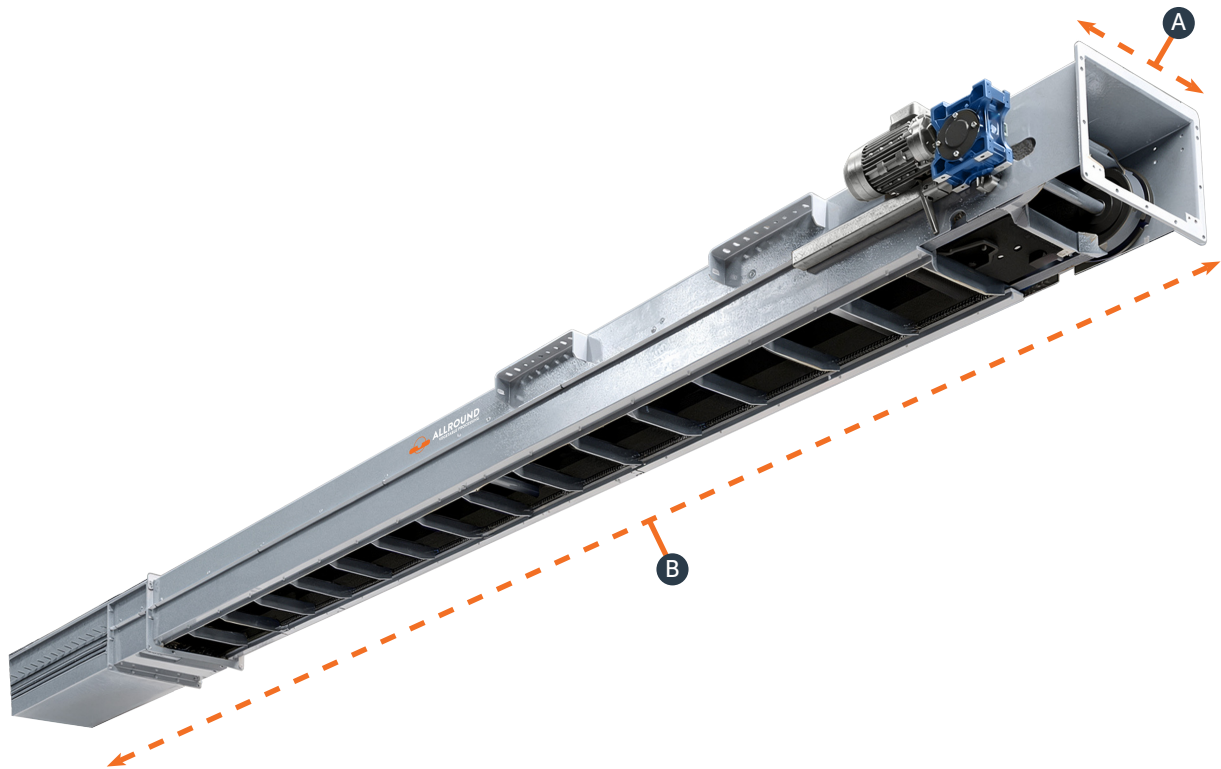


SCRAPER CHAIN CONVEYOR SCC

The scraper chain conveyor is designed for conveying waste. It is heavy-duty and has high capacity. They are specially designed for waste, such as loose skins, dust, and whole onions.



General description

The scraper chain conveyor is designed for conveying waste. It is heavy-duty and has high capacity. They are specially designed for onion waste, such as loose skins, dust, and whole onions.

The system uses a scraper chain mechanism that moves the waste smoothly through the conveyor, ensuring reliable and continuous waste handling.

The scrapers are made from durable plastic, while the chain is manufactured from rubber to ensure smooth operation and reduced wear. Steel cleats are attached to the chain to move the waste effectively through the conveyor.

On demand, the conveyor can be integrated with a swan neck section at the start or at the end of the conveyor. The design allows the waste to be elevated and discharged at a higher point for further handling. The bottom of the conveyor is fitted with highly wear-resistant plastic liners, providing long service life and dependable operation under demanding conditions. The scraper chain conveyor is mounted directly on the machine, making it a compact and efficient solution for integrated waste removal in processing lines.

All dimensions in cm

		SCC 40	SCC 60	SCC 80
A	Width of the waste chain	40	60	80
B	Length of the machine	125 to 2500, steps of 25 cm		

All capacities are indications based on experience from the past and depend on the agro climatic, soil and logistic conditions of the product, Allround VP does not guarantee any of these.

Characteristics

- ✓ The heavy-duty conveying system is specifically designed to handle onion waste, including loose skins, dust, and whole onions
- ✓ The total length of the machine is 125 to 2500 steps of 25 cm
- ✓ The width of the waste chain can be 40, 60, and 80 cm
- ✓ The scraper is made from plastic, but the chain is made from rubber
- ✓ The cleats are made from steel, and the height of the cleats is 60 mm and 30 mm below the chain
- ✓ A frequency inverter is included to control the speed

Options:

■ Material and treatment (frame)

- Painted mild steel Frame is made from painted mild steel. The bearings and drive/idle rollers are from mild steel
- Stainless steel Frame is made from stainless steel AISI304. The bearings and drive/idle rollers are from mild steel

■ Neck*

- Swan Swan neck for flat or declining outfeed

■ Material and treatment (scraper)

- Plastic The scraper is made from plastic

■ Waste chain conveyor

- Chain conveyor The chain is made from rubber
The cleats are made from steel and the cleats height is 60 mm and 30 mm below the chain
The distance between the cleats is 200 mm

■ Electrical control

- No electric Motors and necessary sensors
- Stand-alone Motors, necessary sensors and control panel. The length of the cable is 5, 10, 15 or 20 meter
- Central control in line Motors and necessary sensors

■ Frequency inverter*

- Speed adjustment A frequency inverter is used to control the speed

■ Material and treatment (electrical panel)

- Painted mild steel The electrical panel is made from painted mild steel
- Stainless steel The electrical panel is made from stainless steel AISI304

■ Material and treatment (legs)*

- Stainless steel It is made from stainless steel AISI304
- Painted mild steel It is made from painted mild steel
- Galvanized steel It is made from galvanized steel

Options:

■ **Height of legs***

Height of legs 0 – 7 meter

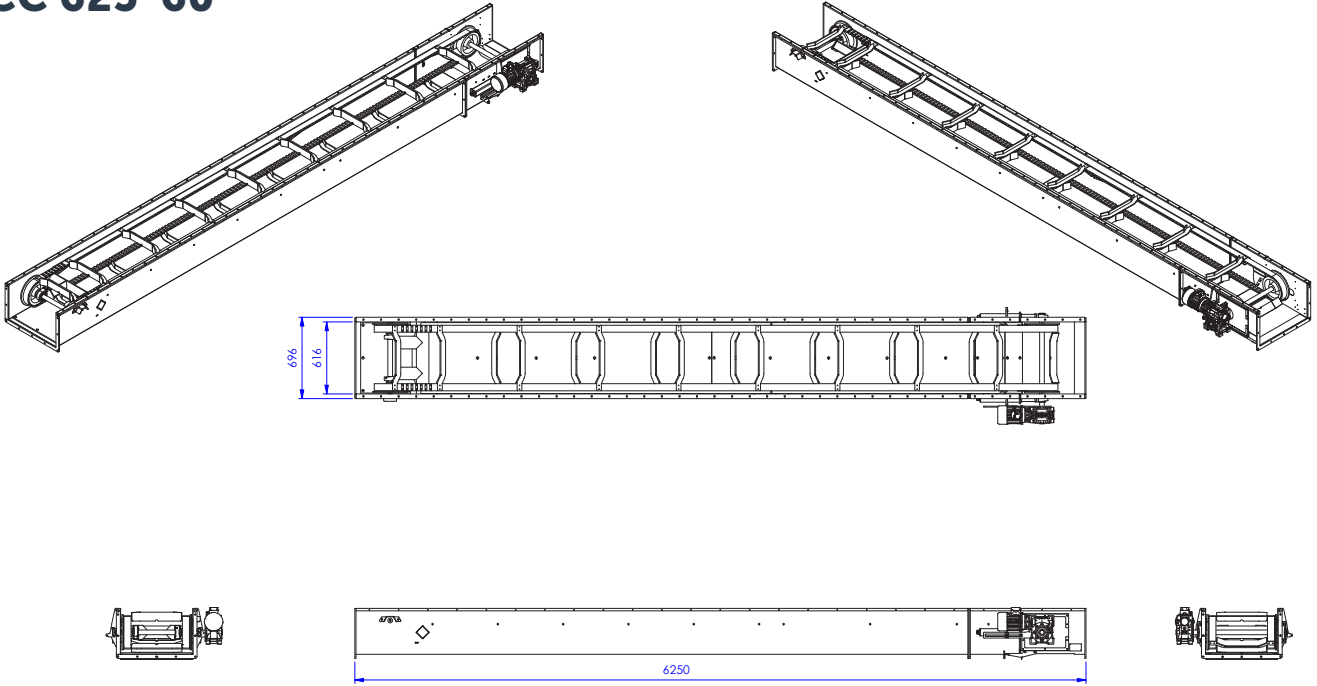
■ **Product sensor***

Product sensor The product's height is determined by the product sensor



■ **Bracket***

Bracket Bracket is used to mount the product sensor

SCC 625-60



For discussion only!
The dimensions are approximately.
We are free to resize and change the machines,
when we deem it necessary.

For principle: ISO 8015	General tolerances: ISO 20768	Fit system: ISO 284	Geometrical tolerancing: ISO 1101
	Project: Scraper chain conveyor - -		
	Description: SCC 625-60		
	Surface: - - -		
	Engineer: SRPL	Scale: 1 : 30	00396219
	Date: 03-11-2025	Sheet size: A3	
		Unit: mm	Revision: 00
			Sheet: 1 of 2