

CABBAGE GRADER CG

The cabbage grader includes two belts mounted opposite to each other at an angle, where the cabbage is transported. When the cabbage reaches the right grading size, it falls between the belts.



General description

The cabbage grader is designed for grading. Two belts are mounted opposite to each other at an angle; the cabbage is transported between these belts. Between the belts, there is a gap (grading size) with different distances from the beginning to the end. When the cabbage reaches the right grading size, it falls between the belts.

All dimensions in cm

CG 450	
A Length of the machine	450

All capacities are indications based on experience from the past and depend on the agro climatic, soil and logistic conditions of the product, Allround VP does not guarantee any of these.

Characteristics

- ✓ The belts are made of PVC, with a width of 30 cm and an angle of 45°
- ✓ The grading size can be manually adjusted by spindles, ranging from 0 mm to 360 mm
- ✓ The frame can be made from painted mild steel, zinc plating, and stainless steel AISI304
- ✓ The bearings and drive/idle rollers are always made from mild steel
- ✓ A frequency inverter is included to control the speed

Options:

■ Material and treatment (frame)

Painted mild steel	Frame is made from painted mild steel and zinc plating. The bearings and drive/idle rollers are from mild steel
Stainless steel	Frame is made from stainless steel AISI304. The bearings and drive/idle rollers are from mild steel

■ Belt

PVC	The belts are made of PVC The width of the belts is 30 cm The angle of the belts is 45°
-----	---

■ Electrical control

No electric	Motors and necessary sensors
Stand-alone	Motors, necessary sensors and control panel. The length of the cable is 5, 10, 15 or 20 meter
Central control in line	Motors and necessary sensors

■ Frequency inverter

Frequency inverter	A frequency inverter is included to control the speed
--------------------	---

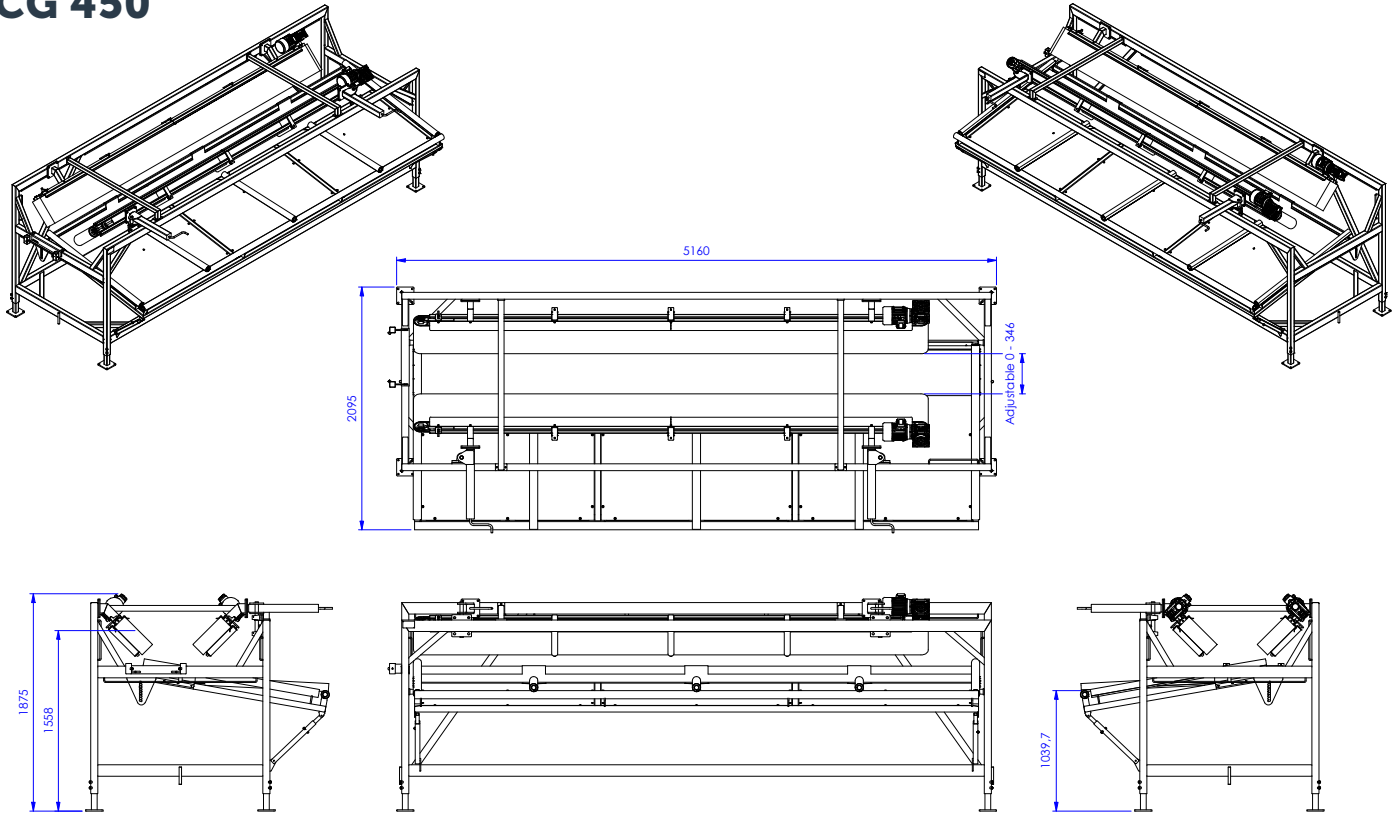
■ Material and treatment (electrical panel)

Painted mild steel	The electrical panel is made from painted mild steel
Galvanized steel	The electrical panel is made from stainless steel AISI304

■ Adjustment grading size

Manual	The grading size can be adjusted manually by spindles. The grading size is adjustable between 0 mm and 360 mm
--------	---

CG 450



For discussion only!
The dimensions are approximately.
We are free to resize and change the machines,
when we deem it necessary.

ISO principle: ISO 8015		General tolerances: ISO 2018		Fit system: ISO 286		Geometrical tolerancing: ISO 1101	
Project: Cabbage grader							
Description: CG 450							
Surface: - - -							
Engineer: JAJ		Scale: 1:30		00326152		Revision: 00	
Date: 18-12-2024		Sheet size: A3		Unit: mm		Sheet: 1 of 2	