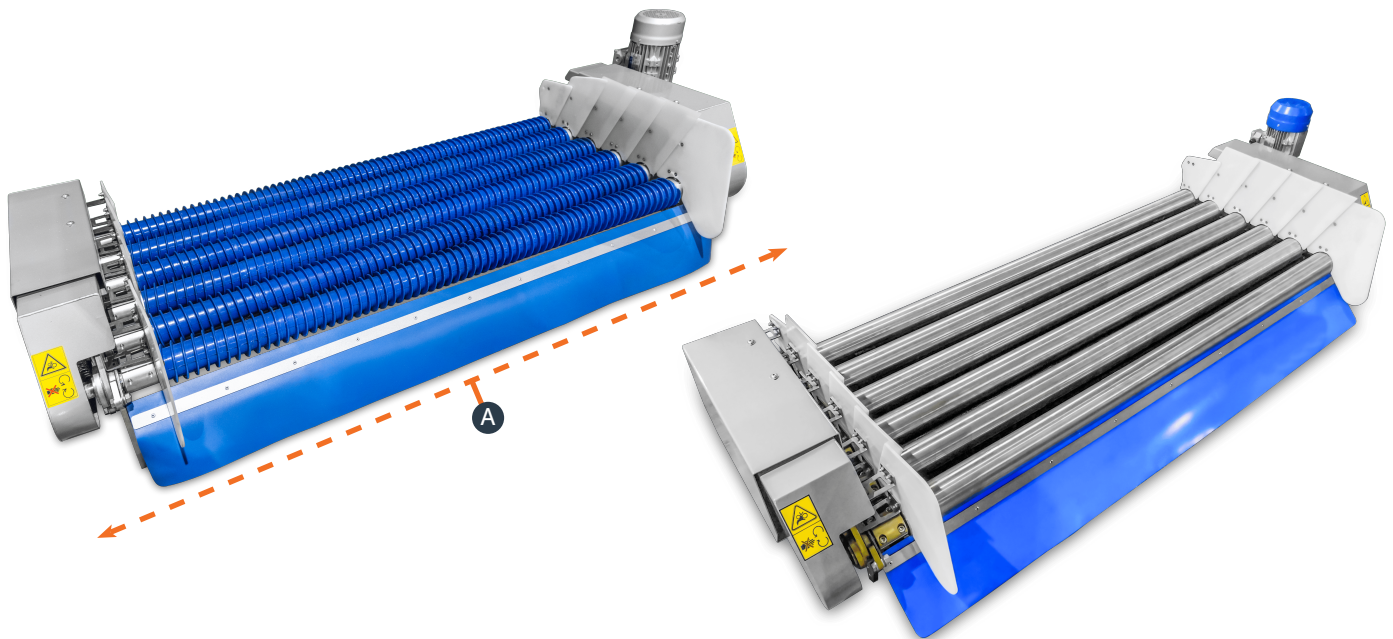


## ADJUSTABLE ROLLER SET VRE

This adjustable roller set is for pre-cleaning and pre-grading the produce. This is the electrical version.



### General description

Adjustable roller set are for pre-cleaning and pre-grading the produce. The produce moves over the rollers, while dirt, skins, and undersized products fall between the rollers. Depending on the application, the distance between the rollers can be adjusted. Rotations of rollers are controlled electrically.

On demand, the adjustable roller set can be supplied in PU spiral, diabolic, steel spiral, and stainless steel rollers. Each roller set has unique qualities and applications. Depending upon product and soil conditions the roller set is decided on demand adjustable. It can be supplied as a stand-alone unit or mounted on a reception hopper.

All dimensions in cm

		VRE 80	VRE 100	VRE 120	VRE 160	VRE 240
A	Width of the machine	80	100	120	160	240
B	Amount of rollers	6, 8	6, 8	6, 8	6, 8	6, 8

All capacities are indications based on experience from the past and depend on the agro climatic, soil and logistic conditions of the product, Allround VP does not guarantee any of these.

## Characteristics

- ✓ Adjustable roller sets are for pre-cleaning and pre-grading
- ✓ Rotations of rollers are controlled electrically
- ✓ Wide range of applications
- ✓ Models are available in 6 and 8-rollers
- ✓ This is the electrical version
- ✓ On demand machines can be supplied as stand-alone units or mounted on hoppers
- ✓ On demand rollers like spiral, plain, diabolic, and soft can be supplied
- ✓ A frequency inverter can be added on demand
- ✓ On demand, the grading size can be adjusted automatically or manually

## Options:

### ■ Material and treatment (cover)

Painted mild steel	Cover and arms are made from electro galvanized steel. The bearings and drive/idle rollers are from mild steel
Stainless steel	Cover and arms are made from stainless steel. The bearings and drive/idle rollers are from mild steel

### ■ Rollers

PU Spiral	Used for most products Thorough removing of dirt and suitable for small stones Distances between: spirals 0 – 50 mm, rollers 24 – 74 mm Diameters: spiral Ø 98, roller Ø 74
Steel spiral	-
Stainless steel	Used for most products Efficient with clay soil (without stones) Distance between: rollers 9 – 59 mm Diameter: roller Ø 89 Including scrapers
Diabolic	Used for round/oval products, pregrade to square size Distances between: diabolics 8 – 58 mm, rollers 37 – 87 mm Diameters: inner Ø 61, outer Ø 90
Soft Ø 80	Used for most products Less damage of product Distance between rollers 18 – 68 mm Diameter: Ø 80

### ■ Electrical control

No electric	Motors only. Wiring, additional sensors and/or control panel are not included
Stand-alone	Motors, switch box and control box
Central control in line	Motors

### ■ Frequency inverter

Speed adjustment	A frequency inverter is included to control the speed
------------------	---

## Options:

### ■ Material and treatment (subframe)

Painted mild steel	It is made from painted mild steel
Hot dipped galvanized	It is made from hot dipped galvanized mild steel
Stainless steel	It is made from stainless steel

### ■ Height of subframe

Height of subframe	0 to 7 meter
--------------------	--------------

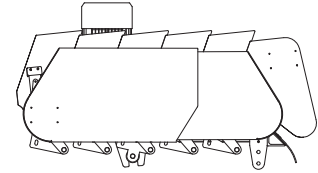
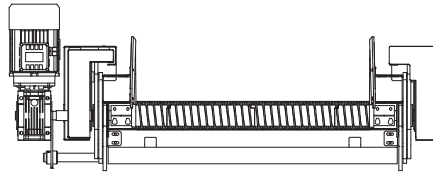
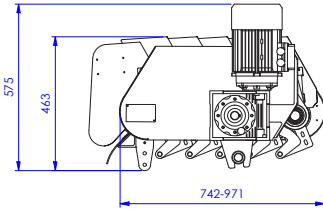
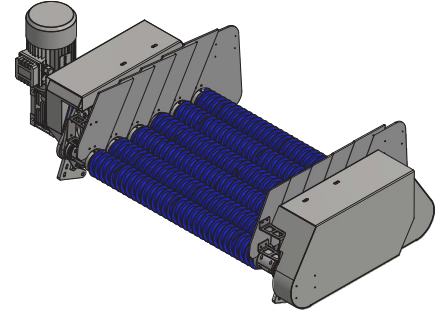
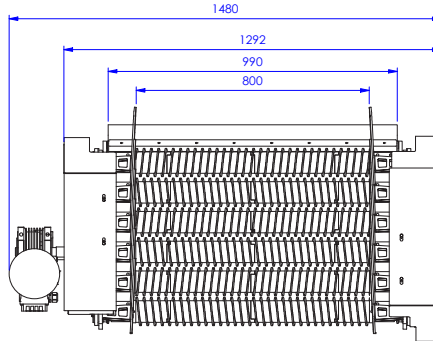
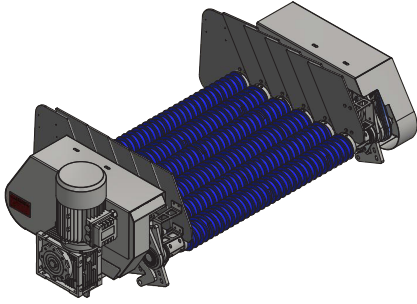
### ■ Material and treatment (electrical panel)

Painted mild steel	The electrical panel is made from painted mild steel
Stainless steel	The electrical panel is made from stainless steel


### ■ Adjustment grading size

Manual	The grading size can be adjusted manually
Automatic	The grading size can be adjusted automatically

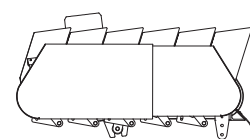
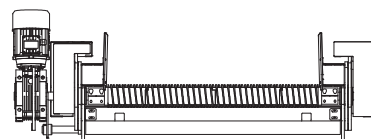
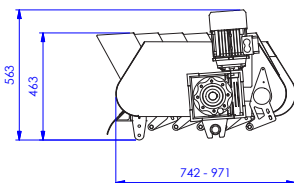
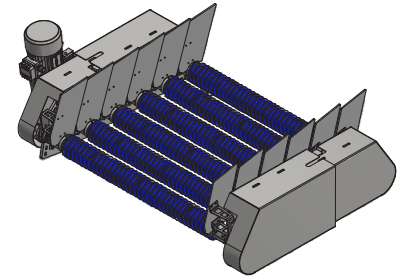
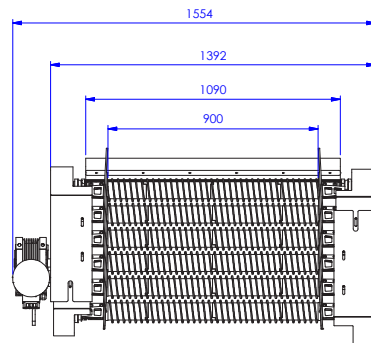
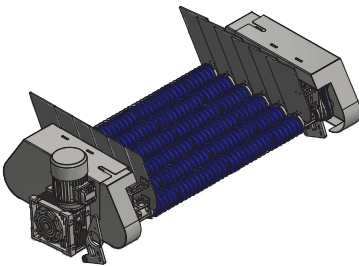
## VRE 80-6



For discussion only!  
 The dimensions are approximately.  
 We are free to resize and change the machines,  
 when we deem it necessary.

For principle: ISO 8015	General tolerances: ISO 20748	Fit system: ISO 286	Geometrical tolerancing: ISO 1101
Project: <b>Adjustable roller set</b>			
Description: <b>VRE 80-6</b>			
Surface: - - -			
	Engineer: HWS	Scale: 1:12	<b>00115814</b>
Date: 02-12-2020	Sheet size: A3	Unit: mm	Revision: 00
Sheet: 1 of 1			

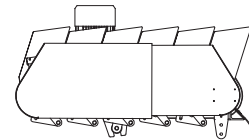
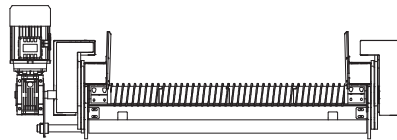
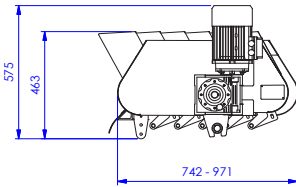
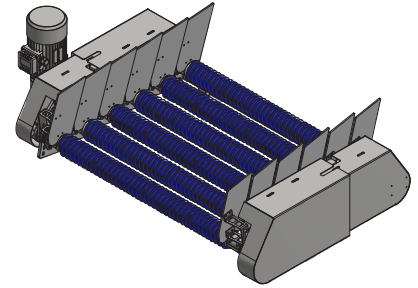
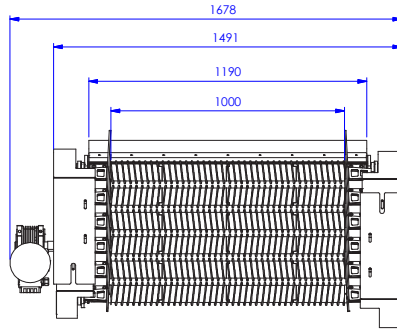
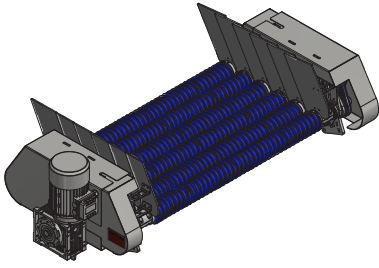
## VRE 90-6



For discussion only!  
 The dimensions are approximately.  
 We are free to resize and change the machines,  
 when we deem it necessary.

For principle: ISO 8015	General tolerances: ISO 20748	Fit system: ISO 286	Geometrical tolerancing: ISO 1101
Project: <b>Adjustable roller set</b>			
Description: <b>VRE 90-6</b>			
Surface: - - -			
	Engineer: HWS	Scale: 1:15	<b>00026306</b>
Date: 09-05-2019	Sheet size: A3	Unit: mm	Revision: 00
Sheet: 1 of 3			

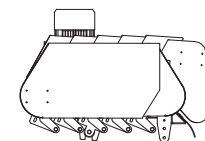
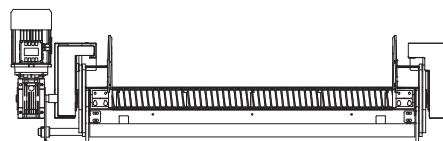
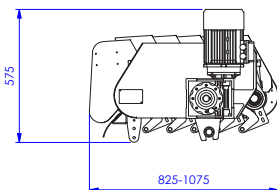
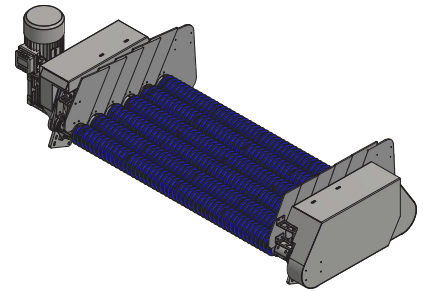
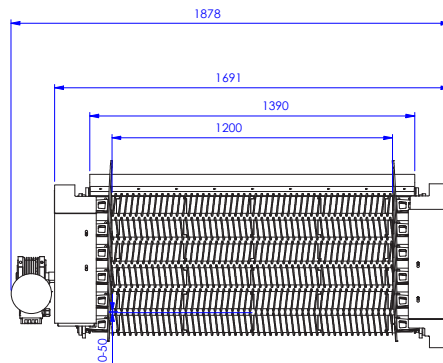
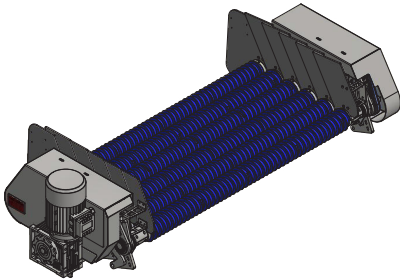
## VRE 100-6



For discussion only!  
 The dimensions are approximately.  
 We are free to resize and change the machines,  
 when we deem it necessary.

For principle: ISO 8015	General tolerances: ISO 20748	Fit system: ISO 286	Geometrical tolerancing: ISO 1101
Project: <b>Adjustable rollerset</b>			
Description: <b>VRE 100-6</b>			
Surface:			
ALLROUND VEGETABLE PROCESSING	Engineer: JAJ	Scale: 1:15	<b>00058158</b>
Date: 3-12-2019	Sheet size: A3	Unit: mm	Revision: 00
Sheet: 1 of 3			

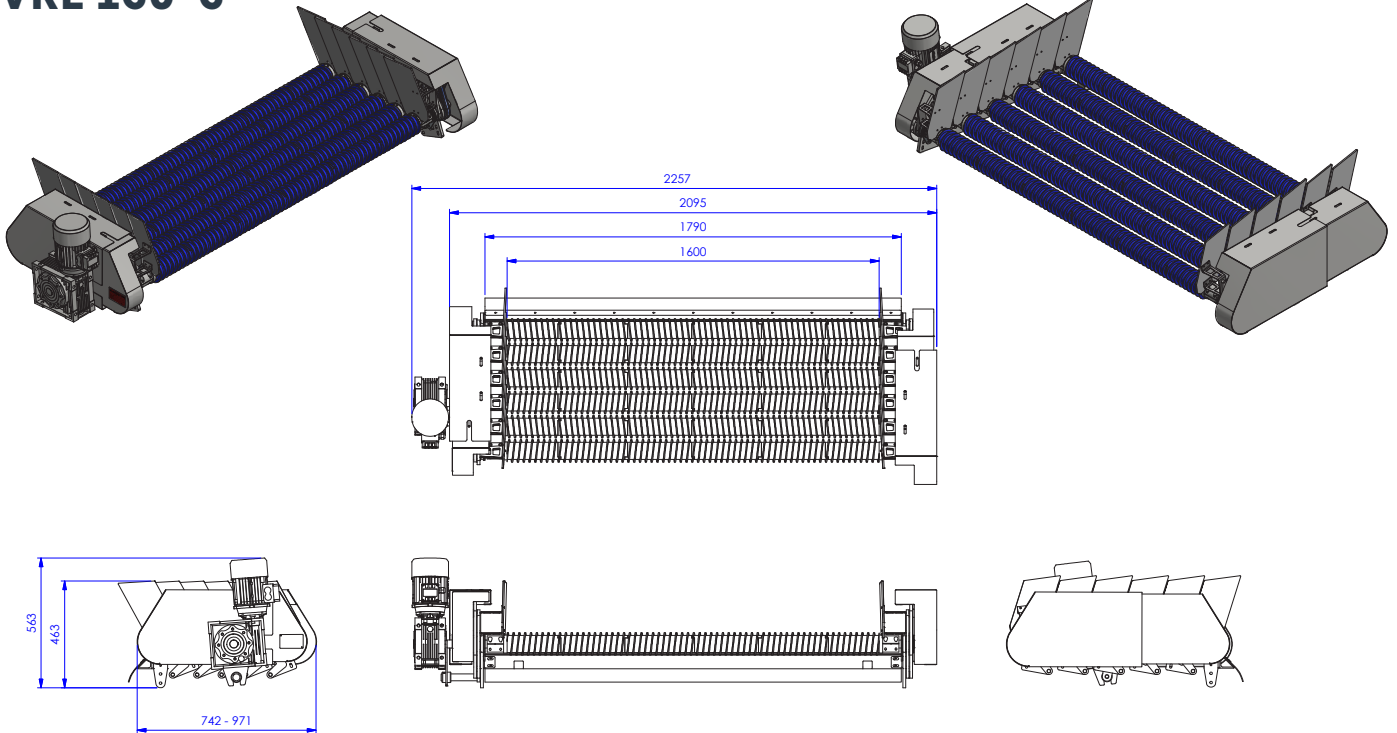
## VRE 120-6



For discussion only!  
 The dimensions are approximately.  
 We are free to resize and change the machines,  
 when we deem it necessary.

For principle: ISO 8015	General tolerances: ISO 20748	Fit system: ISO 286	Geometrical tolerancing: ISO 1101
Project: <b>Adjustable rollerset</b>			
Description: <b>VRE 120-6</b>			
Surface:			
ALLROUND VEGETABLE PROCESSING	Engineer: Parvinder	Scale: 1:15	<b>00117154</b>
Date: 14-06-2021	Sheet size: A3	Unit: mm	Revision: 00
Sheet: 1 of 2			

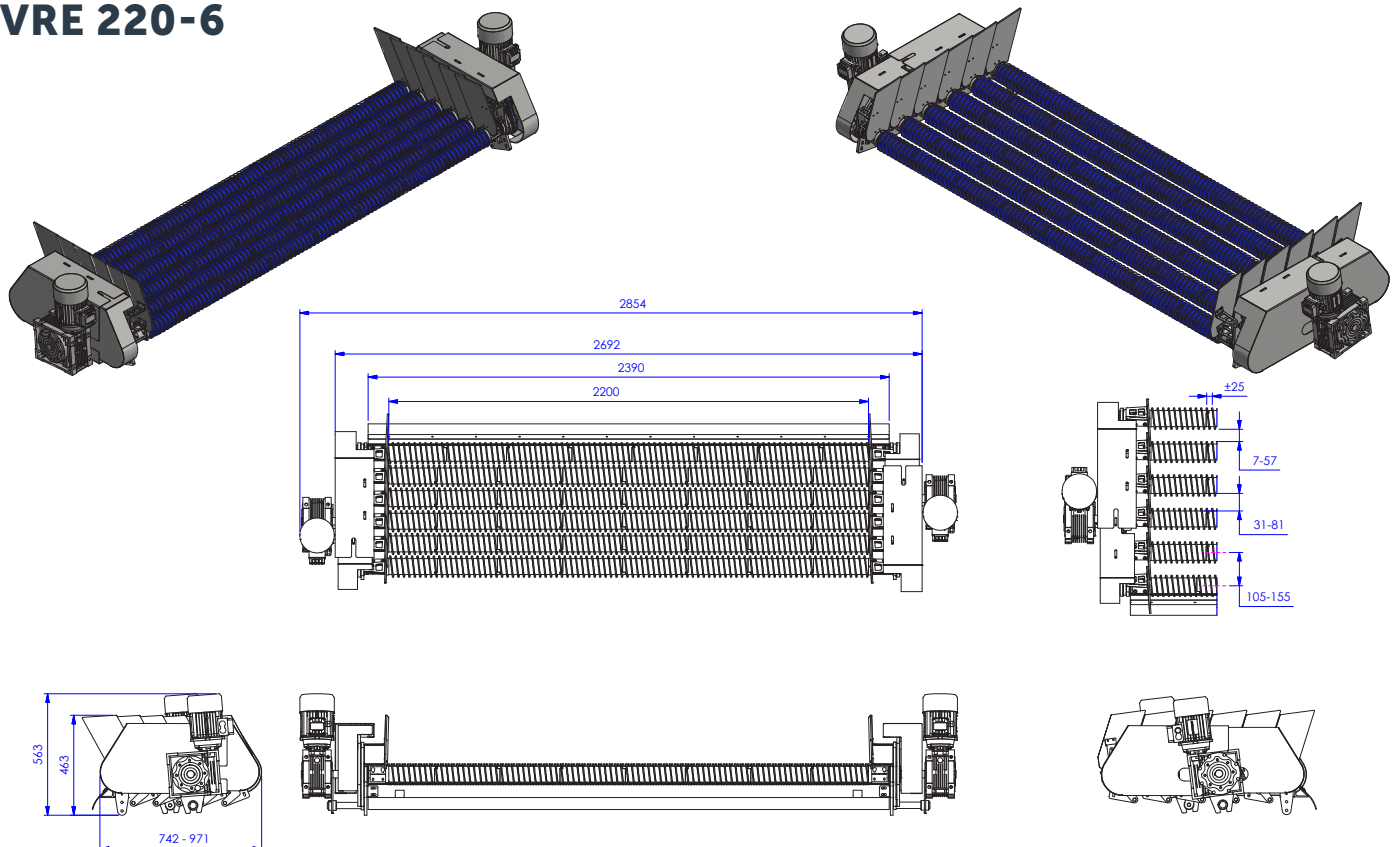
## VRE 160-6



For discussion only!  
 The dimensions are approximately.  
 We are free to resize and change the machines,  
 when we deem it necessary.

Tol principle: ISO 8015	General tolerances: ISO 20768	Fit system: ISO 286	Geometrical tolerancing: ISO 1101
Project: <b>Adjustable rollerset</b>			
Description: <b>VRE 160-6</b>			
Surface:		Scale: 1:15	<b>00067724</b>
Engineer: SRPL	Date: 2-12-2019	Sheet size: A3	
Unit: mm		Sheet: 1 of 3	
Revision: 00			

## VRE 220-6



For discussion only!  
 The dimensions are approximately.  
 We are free to resize and change the machines,  
 when we deem it necessary.

Tol principle: ISO 8015	General tolerances: ISO 20768	Fit system: ISO 286	Geometrical tolerancing: ISO 1101
Project: <b>Adjustable rollerset</b>			
Description: <b>VRE 220-6</b>			
Surface:		Scale: 1:16	<b>00040612</b>
Engineer: SRPL	Date: 9-5-2019	Sheet size: A3	
Unit: mm		Sheet: 1 of 5	
Revision: 00			