

BRUSHING MACHINE BRF

The brushing machine is designed to clean vegetables and potatoes using flat brushes. They can operate wet or dry.



General description

The brushing machine is designed to clean vegetables and potatoes using flat brushes. The produce is transferred over the brushes and rollers by other produce pushing it from behind, while soil, dust, or skins fall between the rollers. This machine can be used for wet and dry products.

Allround standard brushing machine comes with a frame of painted mild steel. However, on demand frame can be made up of stainless steel AISI304. Various widths and numbers of rollers are available to choose from depending on the amount of dirt and crop type. On demand, each roller can be configured with different hardness brushes.

Various types of brushes are available according to their hardness. On demand, the number of spray bars can be integrated on top of the machine for water rising and chemical applications.

If required, the brushing machine can be on the subframe to accommodate height differences. The subframe can be made from painted mild steel, stainless steel AISI304, and galvanized steel. The height of the subframe can be varies from 0-5 meters.

All dimensions in cm

		BRF 90	BRF 110	BRF 130	BRF 150	BRF 180
A	Width of the machine	90	110	130	150	180
B	Amount of roller	10, 15, 20	10, 15, 20	10, 15, 20	10, 15, 20	10, 15, 20

All capacities are indications based on experience from the past and depend on the agro climatic, soil and logistic conditions of the product, Allround VP does not guarantee any of these.

Characteristics

- ✓ Models available in 90, 110, 130, 150, and 180 cm width
- ✓ Models available in 10, 15, and 20 amount of rollers
- ✓ Spray bars allow chemical application and produce rinsing
- ✓ The water catchment tray collects waste water. Easy cleaning access
- ✓ Belt driven design is more reliable than chain-driven design and less maintenance
- ✓ No drop between modules means multiple flatbeds can be combined. This is an efficient use of space and the most gentle form of handling
- ✓ Modular build to mix and match functionality, and flexibility, and can modify set-up at a later date
- ✓ Designed with few catchment areas reduces dirt trapping

Options:

■ Material and treatment (frame)

Painted mild steel	Frame is made from painted mild steel
Stainless steel	Frame is made from stainless steel AISI304

■ Roller

Gummy	It is used to reduce the amount of water
-------	--

■ Brush hardness (in mm)

0.2	Black
0.25	Yellow
0.3	Red
0.35	Grey
0.4	Green
0.45	Blue
0.7	Black
1.2	White

■ Electrical control

No electric	Motors and necessary sensors
Stand-alone	Motors, necessary sensors and control panel. The length of the cable is 5, 10, 15 or 20 meter
Central control in line	Motors and necessary sensors

■ Material and treatment (electrical panel)

Painted mild steel	The electrical panel is made from painted mild steel
Stainless steel	The electrical panel is made from stainless steel AISI304

Options:

■ Subframe (electrical panel)

Mounted on machine	The electrical panel is mounted on the machine
Mounted on wall	The electrical panel is mounted on the wall. The length of the cable between the machine and the electrical panel is 5, 10, 15 or 20 meter
Subframe	The electrical panel is mounted on a subframe. The length of the cable between the machine and the electrical panel is 5, 10, 15 or 20 meter. The subframe is made from stainless steel AISI304, painted mild steel or galvanized steel

■ Material and treatment (subframe)

Painted mild steel	It is made from painted mild steel
Stainless steel	It is made from stainless steel AISI304
Galvanized steel	It is made from galvanized steel

■ Height of subframe

Height of subframe	0 to 5 meter
--------------------	--------------

■ Emptying system

Automatic	The emptying system is made from stainless steel AISI304 and is used to get the last potatoes off the rollers
-----------	---

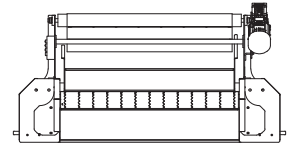
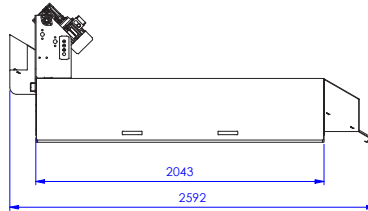
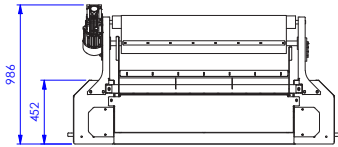
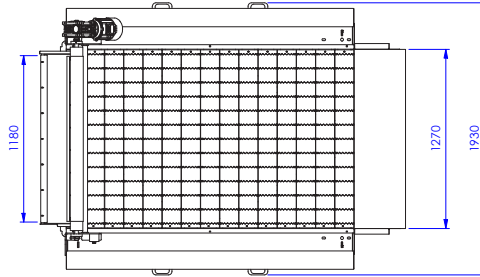
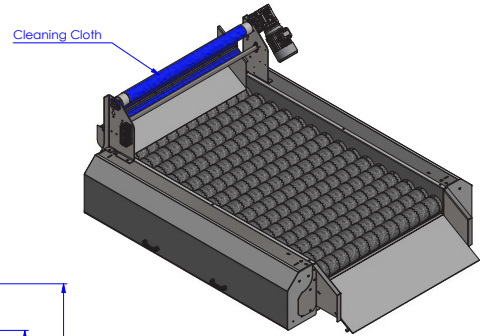
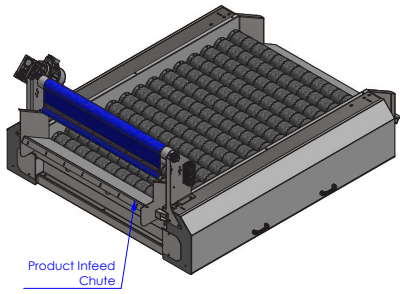
■ Bearing greasing


Manual	The bearings can be greased manually
Automatic	The bearings are greased automatically

■ Waste collection – chute

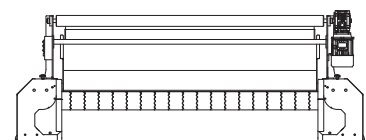
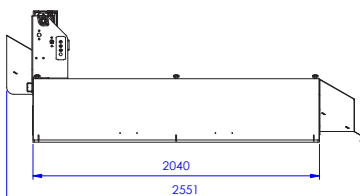
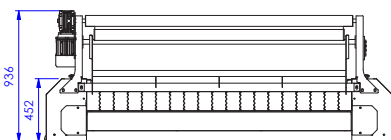
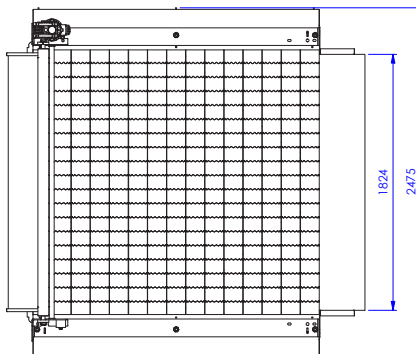
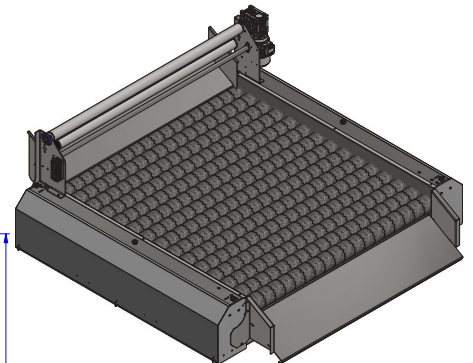
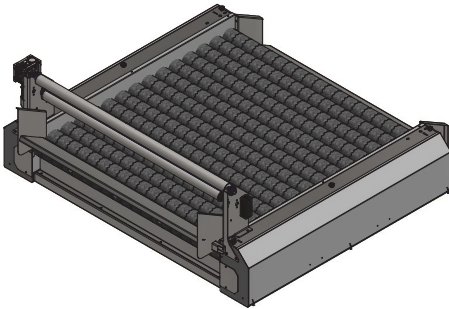
Waste collection	A chute is included on the bottom of the machine. The chute will guide waste to a transport conveyor or box
------------------	---

BRF 120-15



Total principle: ISO 8015		General tolerances: ISO 20748		Fit system: ISO 286		Geometrical tolerancing: ISO 1101	
Project: Description: BR 120-15							
Surface: - - -		Scale: 1 : 25		00086505		Revision: 01	
Engineer: SRPL		Date: 11-11-2020		Sheet size: A3		Unit: mm Sheet: 1 of 1	
							

BRF 180-15



Total principle: ISO 8015		General tolerances: ISO 20748		Fit system: ISO 286		Geometrical tolerancing: ISO 1101	
Project: Description: BR 180-15							
Surface: - - -		Scale: 1 : 25		00079071		Revision: 00	
Engineer: SRPL		Date: 14-05-2020		Sheet size: A3		Unit: mm Sheet: 1 of 1	
