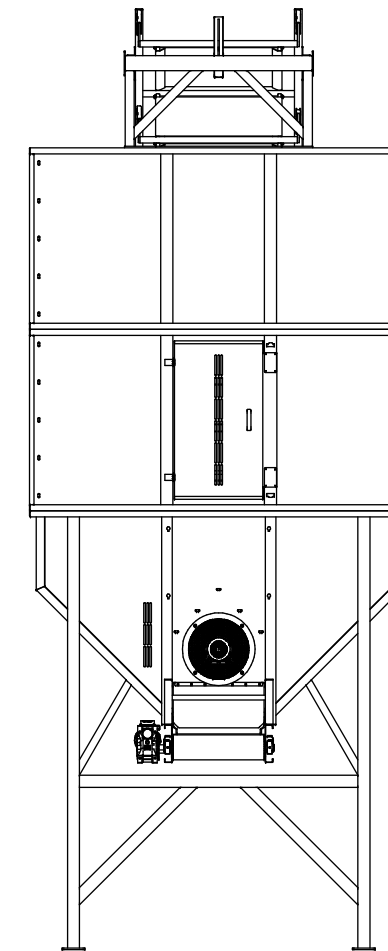
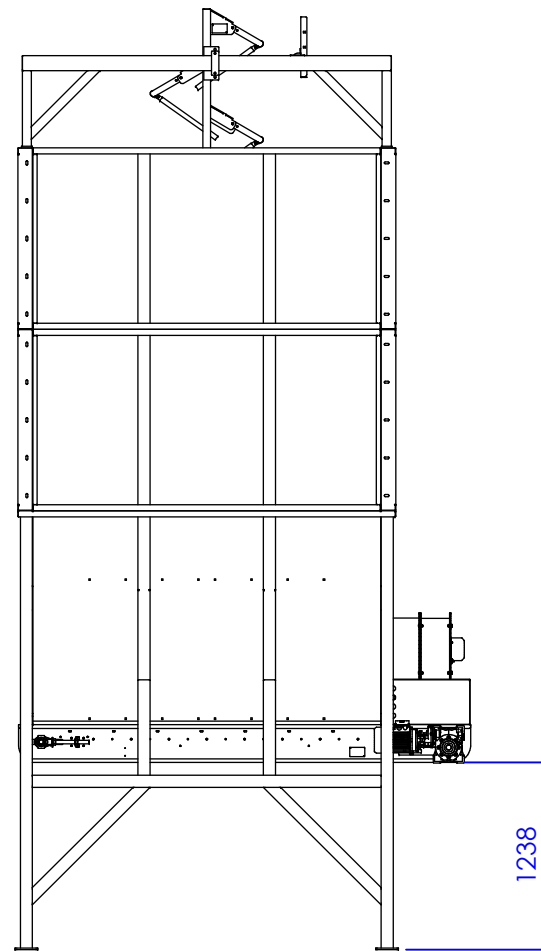
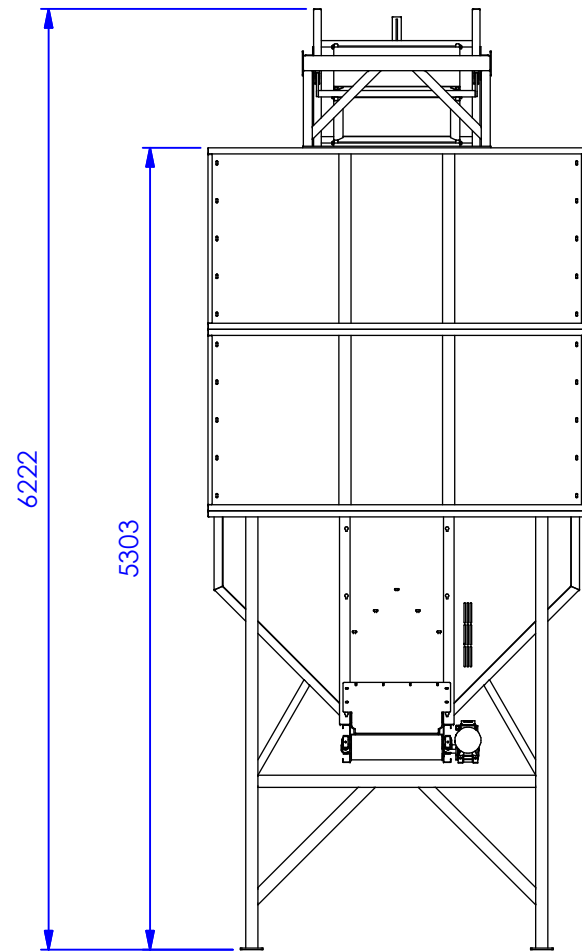
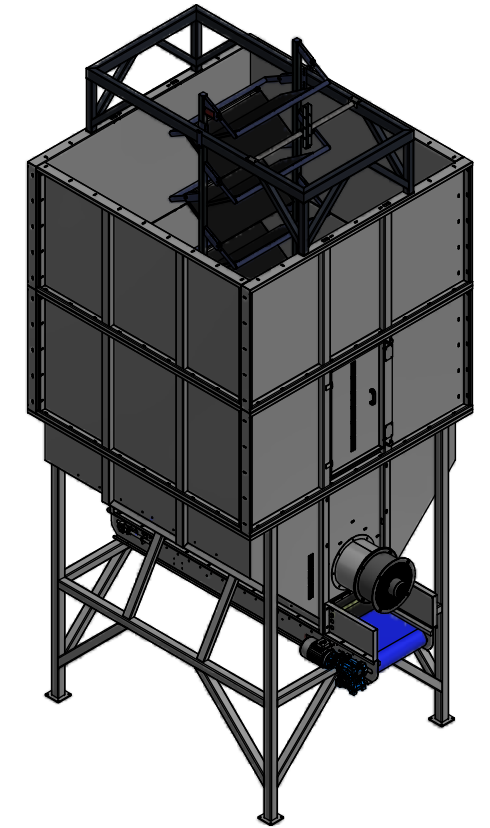
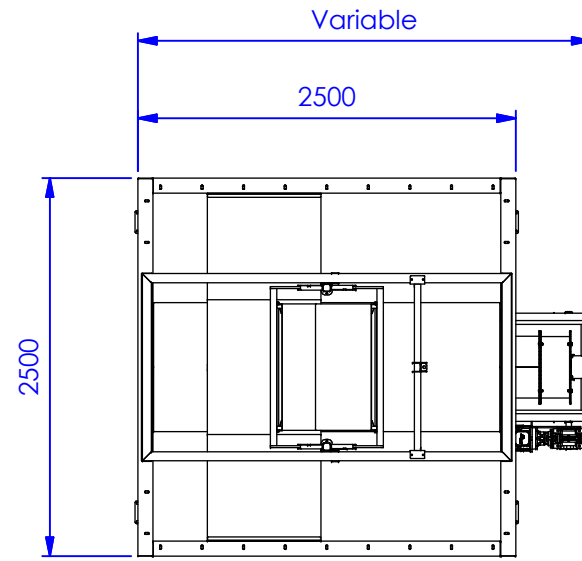
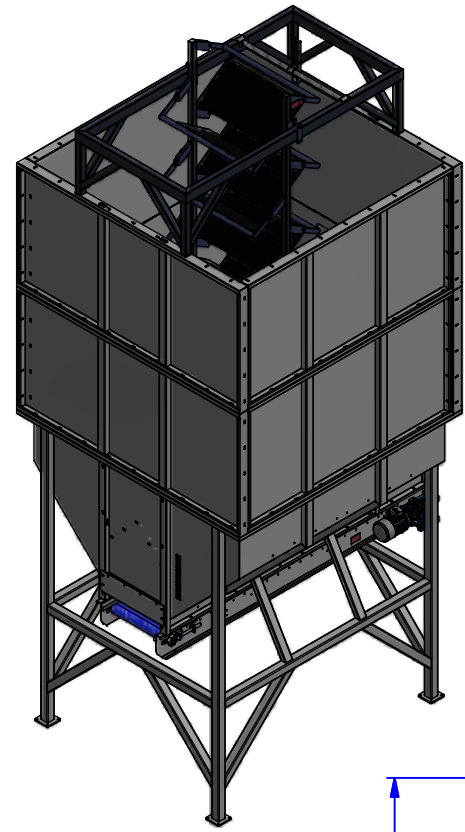


SH 25-25-16



For discussion only!
 The dimensions are approximately.
 We are free to resize and change the machines,
 when we deem it necessary.

Tol principle: ISO 8015	General tolerances: ISO 20768	Fit system: ISO 286	Geometrical tolerancing: ISO 1101	
	Project: Storage hopper			
	Description: SH 25-25-16			
	Surface:		00003480	
	Engineer: S.laan	Scale: 1 : 50		Revision: 00
	Date: 28-6-2019	Sheet size: A3		
	Unit: mm	Sheet: 1 of 2		