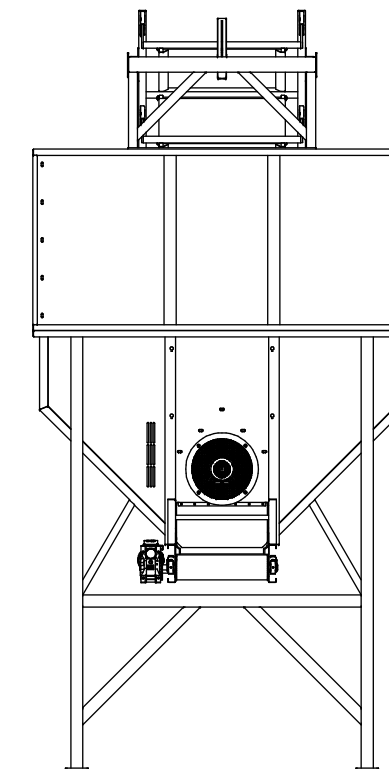
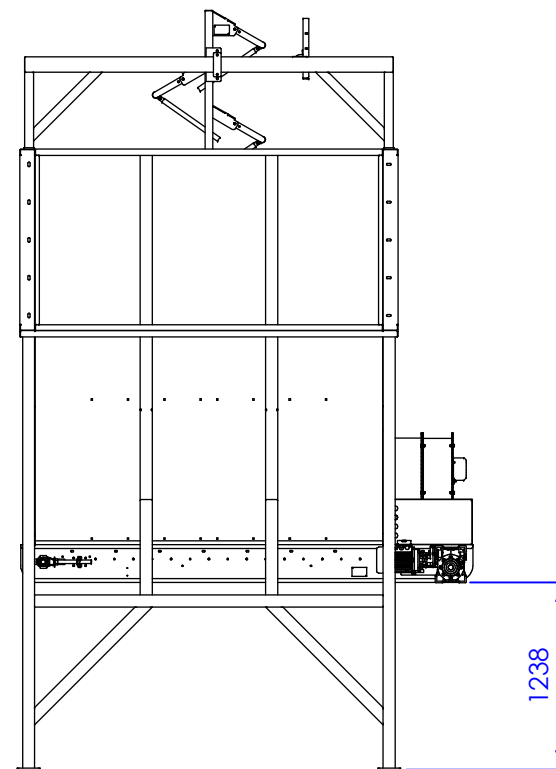
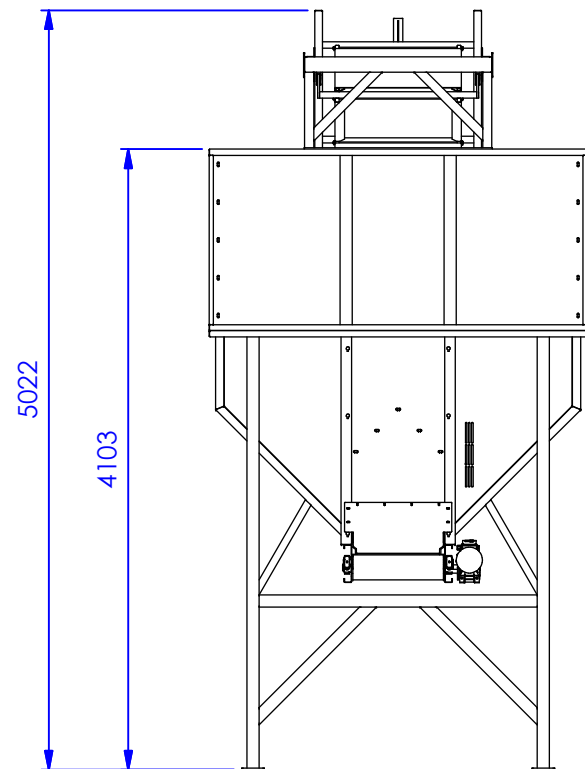
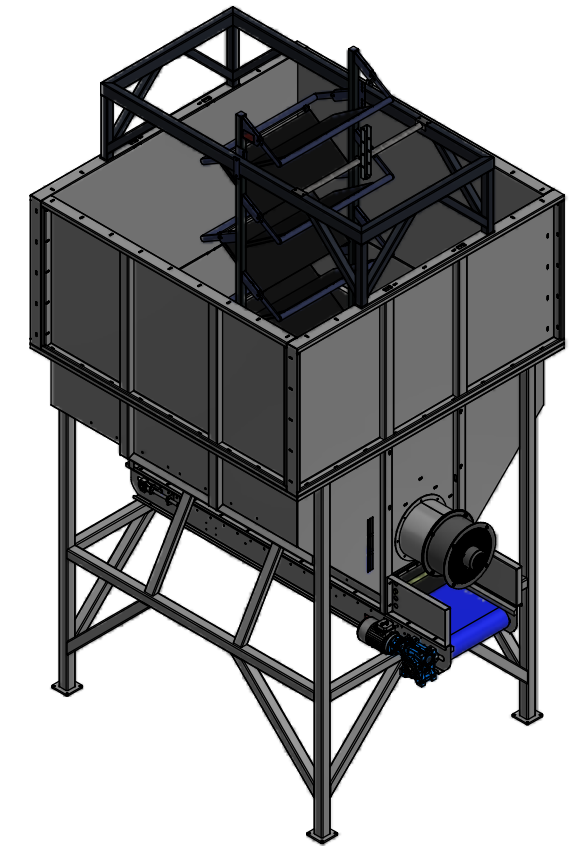
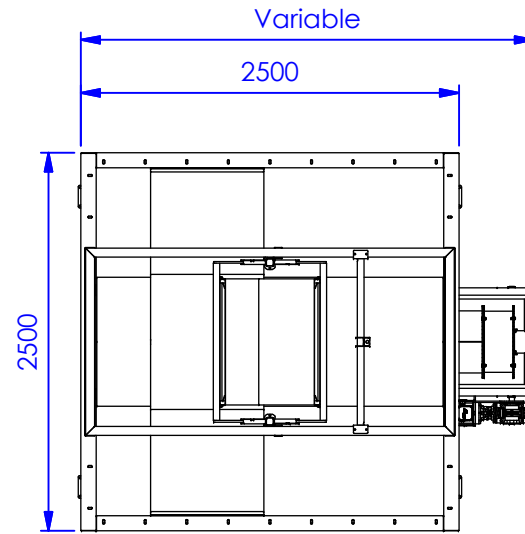
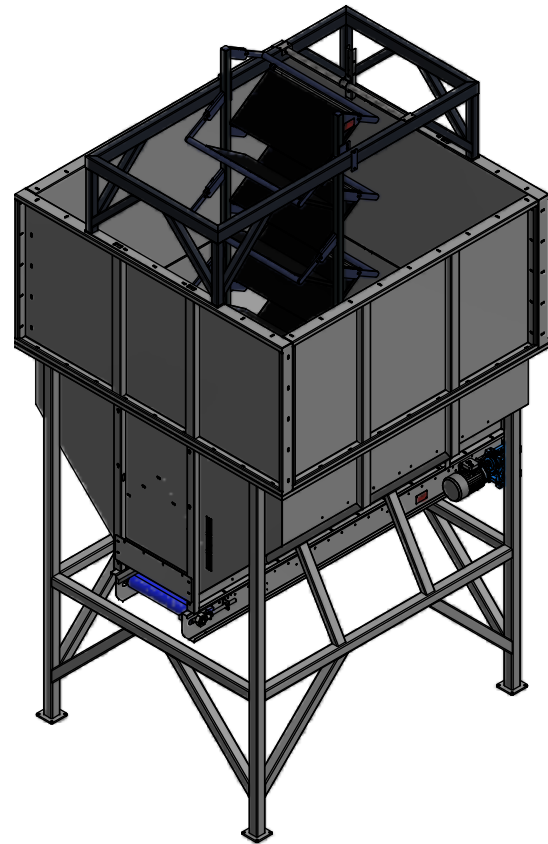


SH 25-25-10



For discussion only!
 The dimensions are approximately.
 We are free to resize and change the machines,
 when we deem it necessary.

Tol principle: ISO 8015	General tolerances: ISO 20768	Fit system: ISO 286	Geometrical tolerancing: ISO 1101
Project: Storage hopper - -			
Description: SH 25-25-10			
Surface:			
Engineer: S.Iaan	Scale: 1 : 50	00003481	Revision: 01
Date: 28-6-2019	Sheet size: A3		
Unit: mm		Sheet: 1 of 2	

