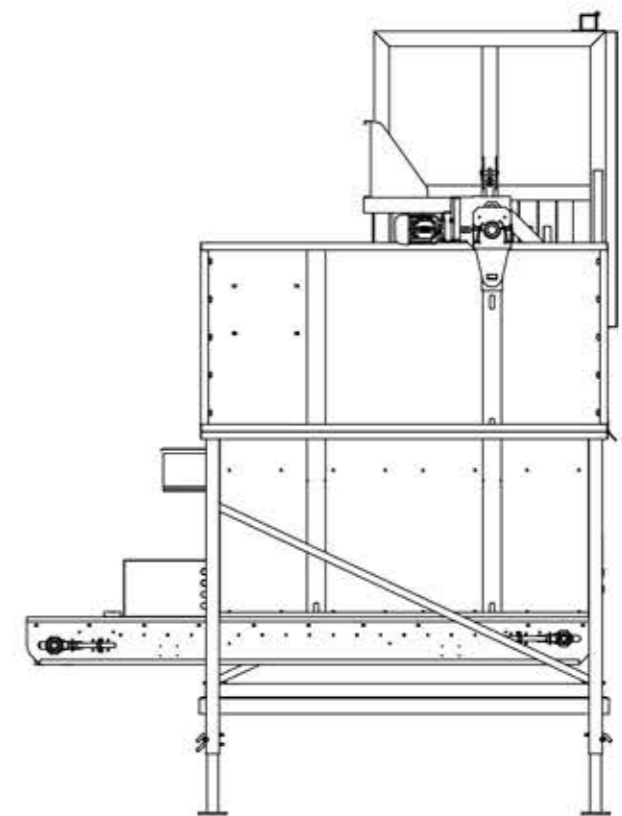
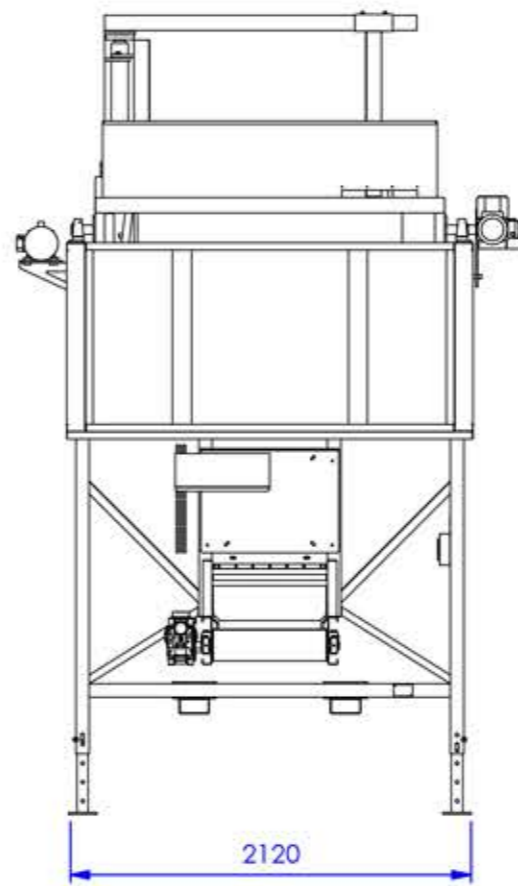
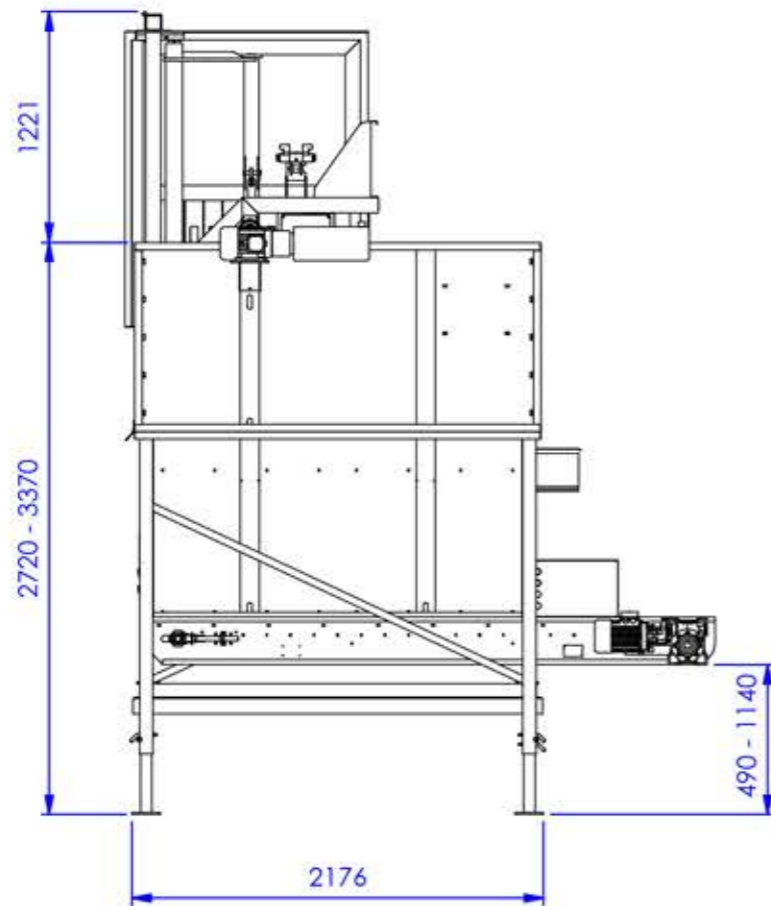
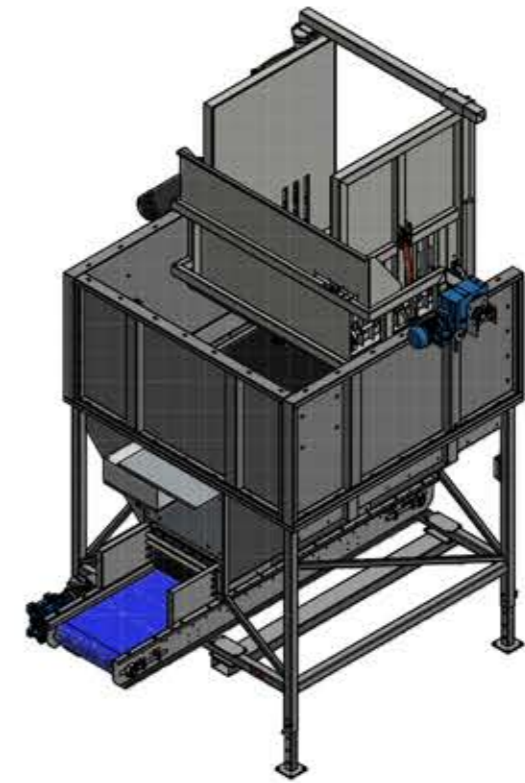
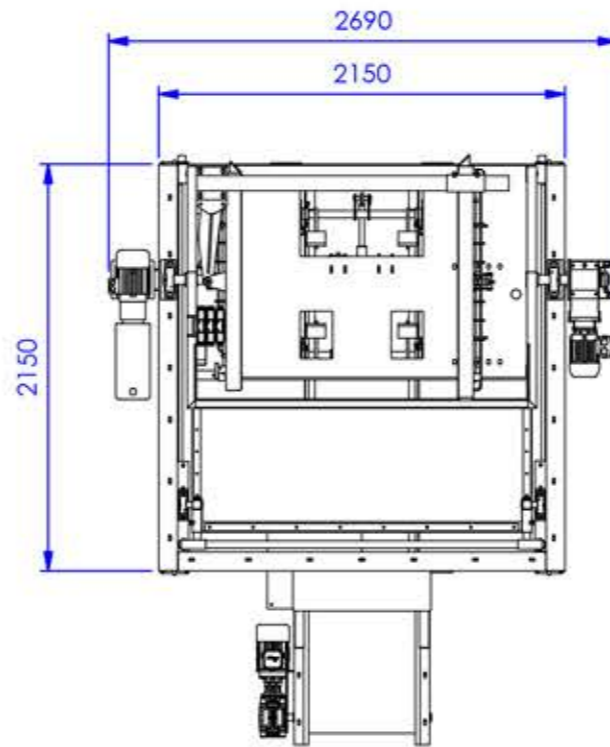
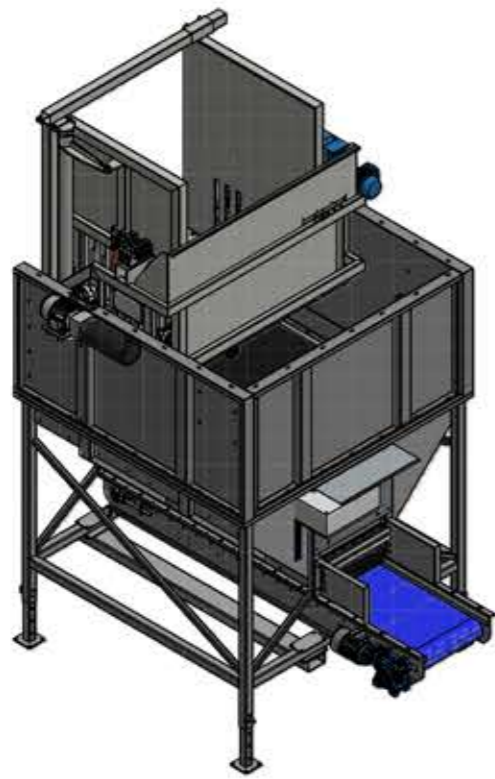


SHBB 160-3



For discussion only!
 The dimensions are approximately.
 We are free to resize and change the machines,
 when we deem it necessary.

Tol principle: ISO 8015	General tolerances: ISO 20768	Fit system: ISO 286	Geometrical tolerancing: ISO 1101
Project: Storage hopper Description: SHBB 160-3			
Surface: Engineer: SRPL Scale: 1 : 40 Date: 23-5-2019 Sheet size: A3 Unit: mm			
			00043729 Sheet: 1 of 4
			Revision: 00