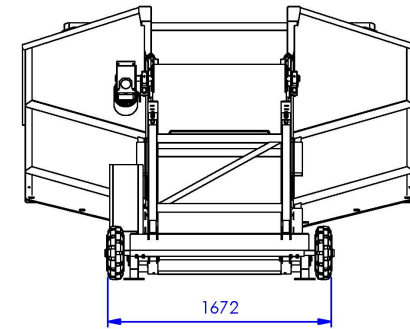
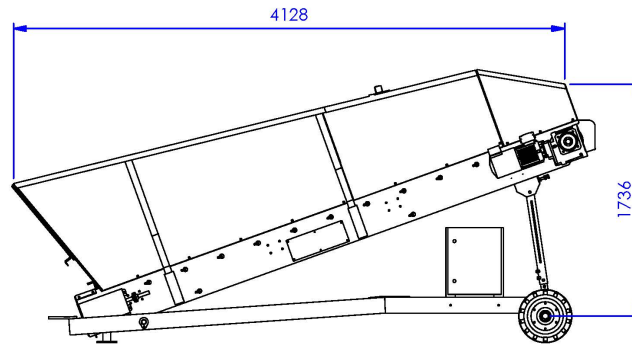
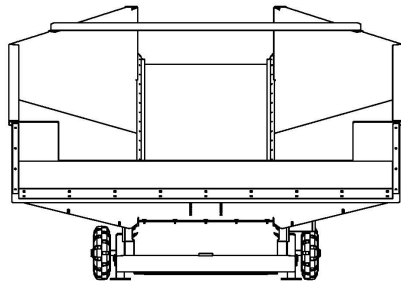
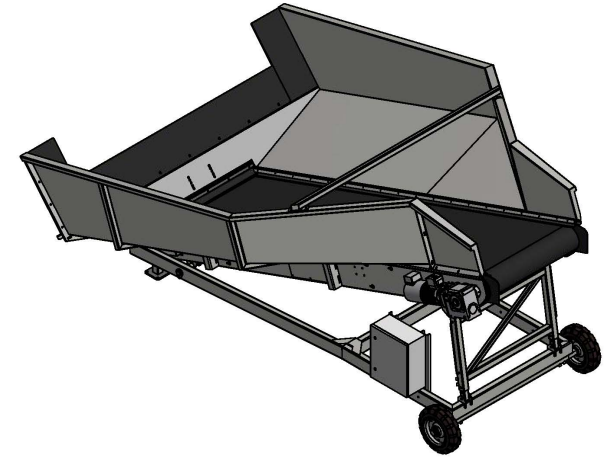
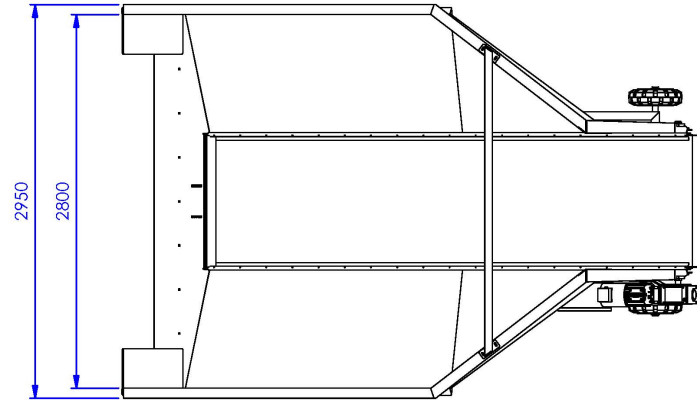
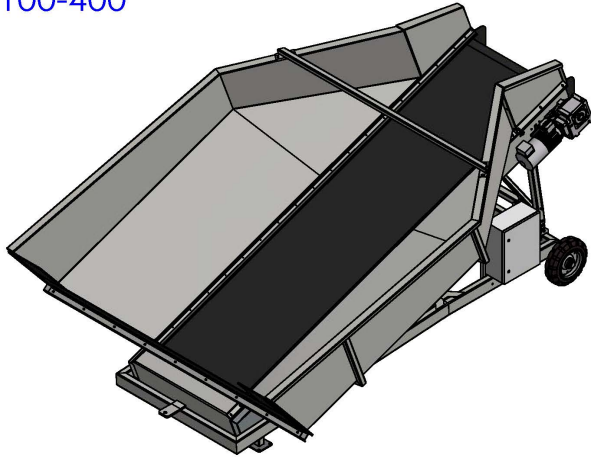


ARH
100-400



For discussion only!
The dimensions are approximately.
We are free to resize and change the machines,
when we deem it necessary.

Tol principle: ISO 8015		General tolerances: ISO 207/68		Fit system: ISO 286		Geometrical tolerancing: ISO 1101	
Project: Receiving hopper - -							
Description: ARH 100-400							
Surface:							
Engineer: Parvinder		Scale: 1 : 38		00105010		Revision: 00	
Date: 1/19/2021		Sheet size: A3					
www.allround-pvt		Unit: mm		Sheet: 1 of 3			