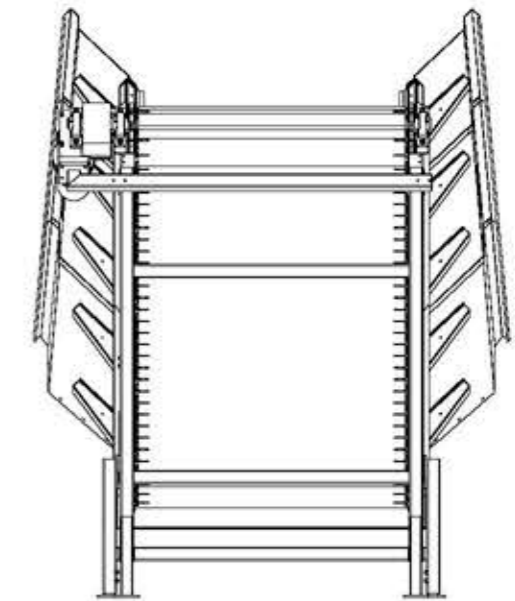
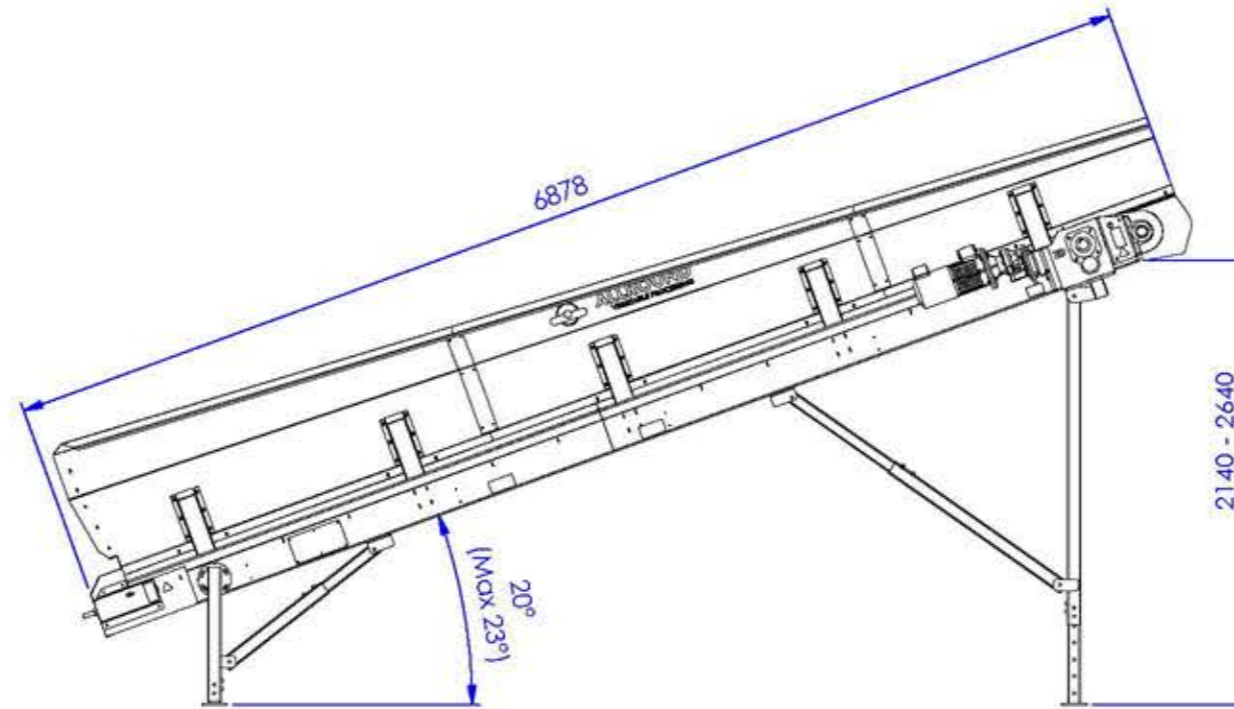
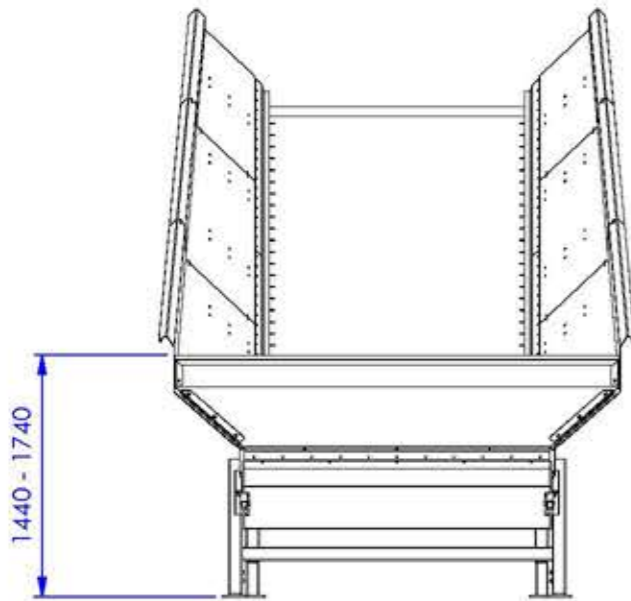
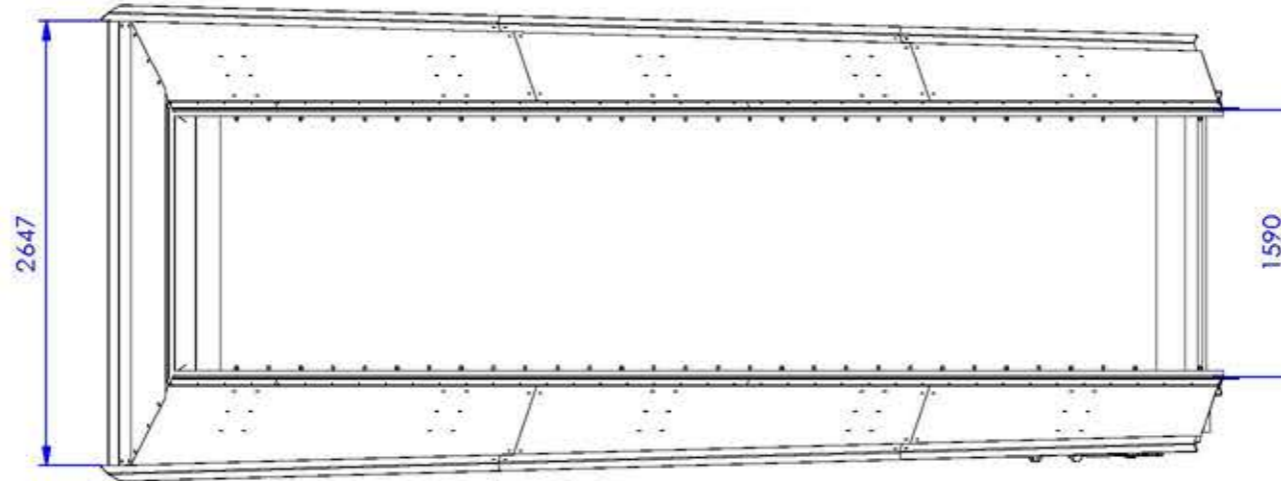


B 160-650



For discussion only!
 The dimensions are approximately.
 We are free to resize and change the machines,
 when we deem it necessary.

Tol principle: ISO 8015		General tolerances: ISO 20768		Fit system: ISO 286		Geometrical tolerancing: ISO 1101	
Project: Hopper		Description: B 160-650					
Surface:		Engineer: SRPL		Scale: 1 : 45		00043236	
Date: 28-6-2019		Sheet size: A3		Unit: mm			
Revision: 00		Sheet: 1 of 3					

