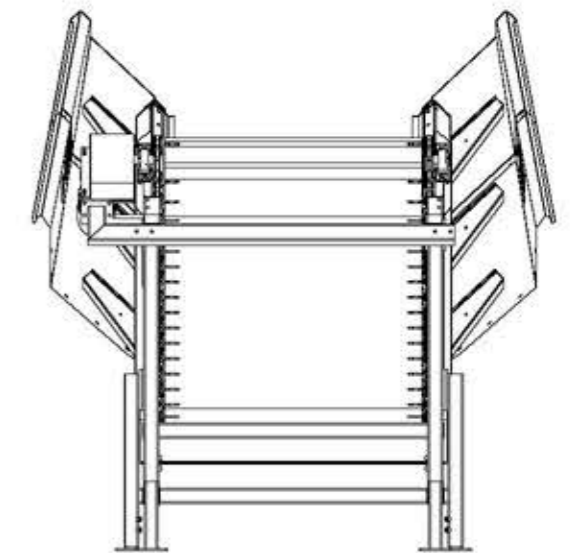
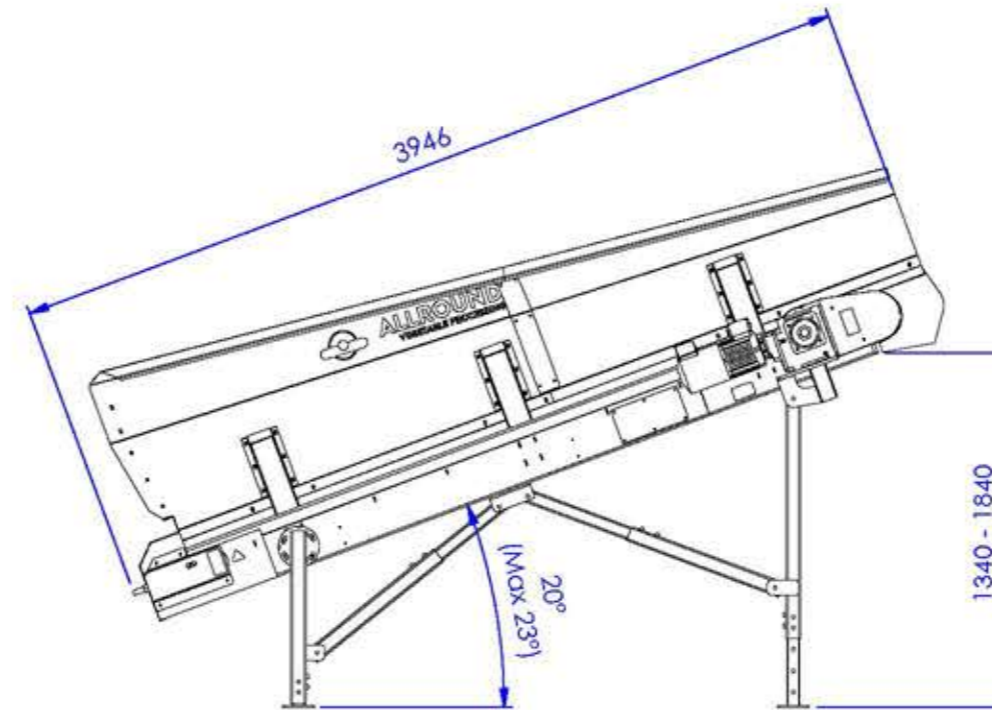
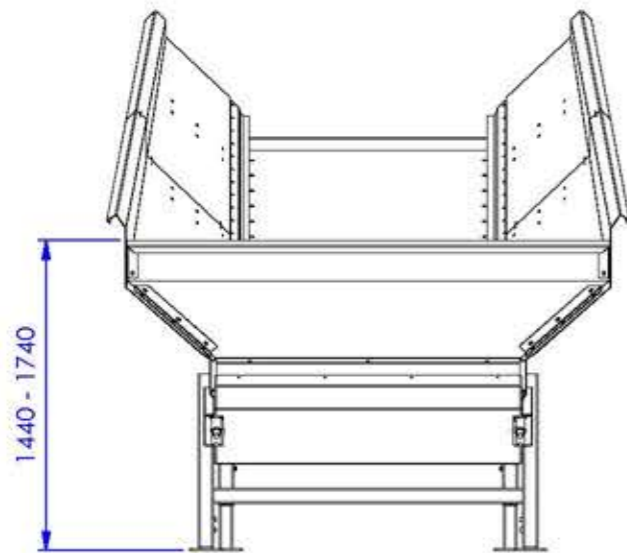
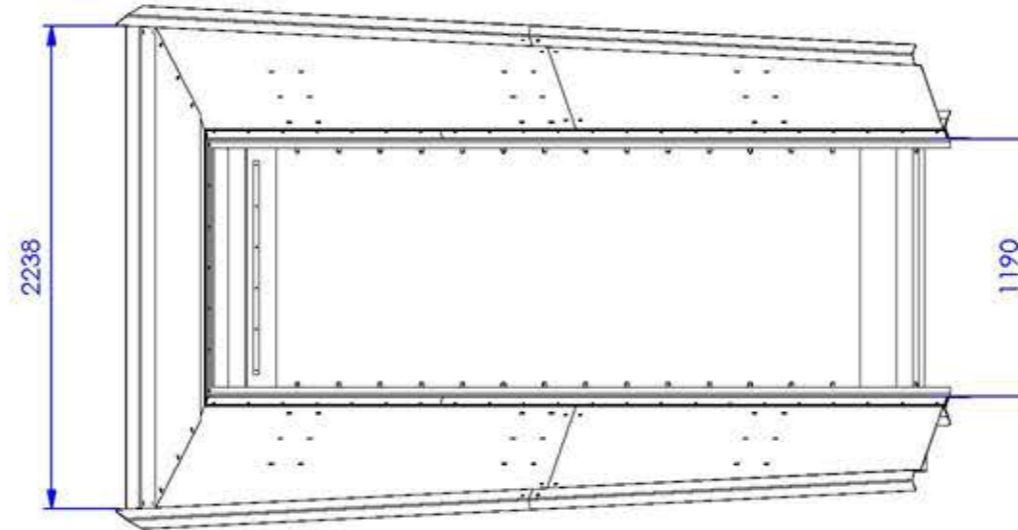


B 120-350



For discussion only!
 The dimensions are approximately.
 We are free to resize and change the machines,
 when we deem it necessary.

Tol principle: ISO 8015		General tolerances: ISO 20768		Fit system: ISO 286		Geometrical tolerancing: ISO 1101	
Project: Hopper		Description: B 120-350					
Surface:		Engineer: S.Laan					
Date: 28-6-2019		Scale: 1 : 35		Sheet size: A3		Revision: 00	
Unit: mm		00022162		Sheet: 1 of 3			

