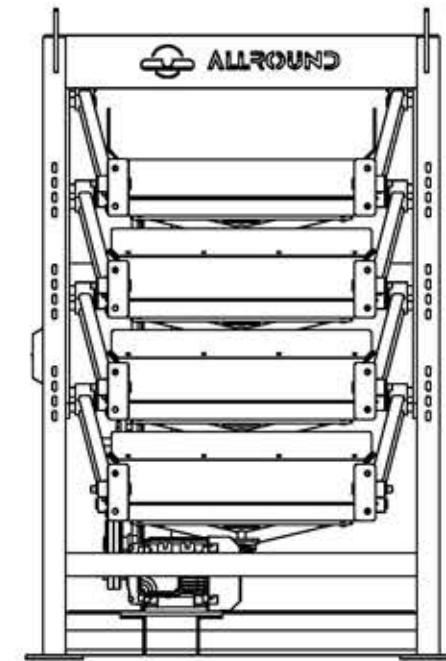
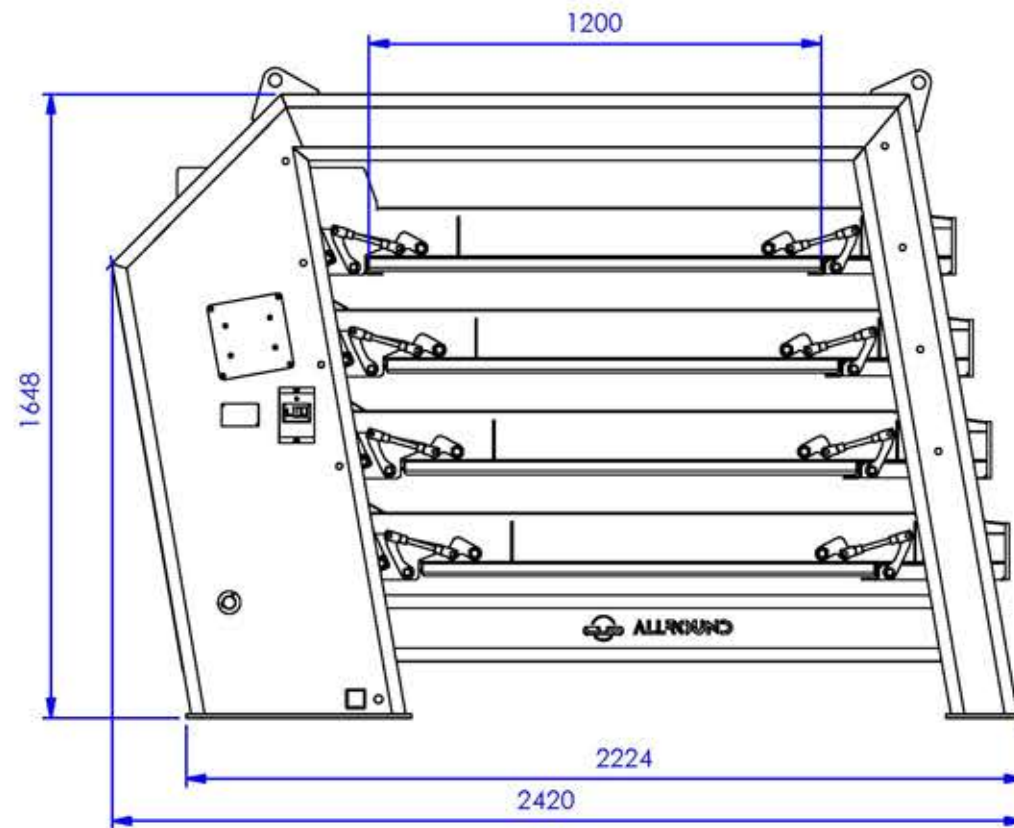
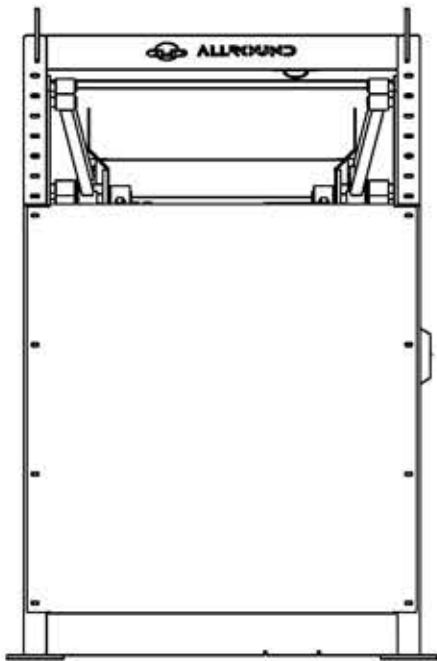
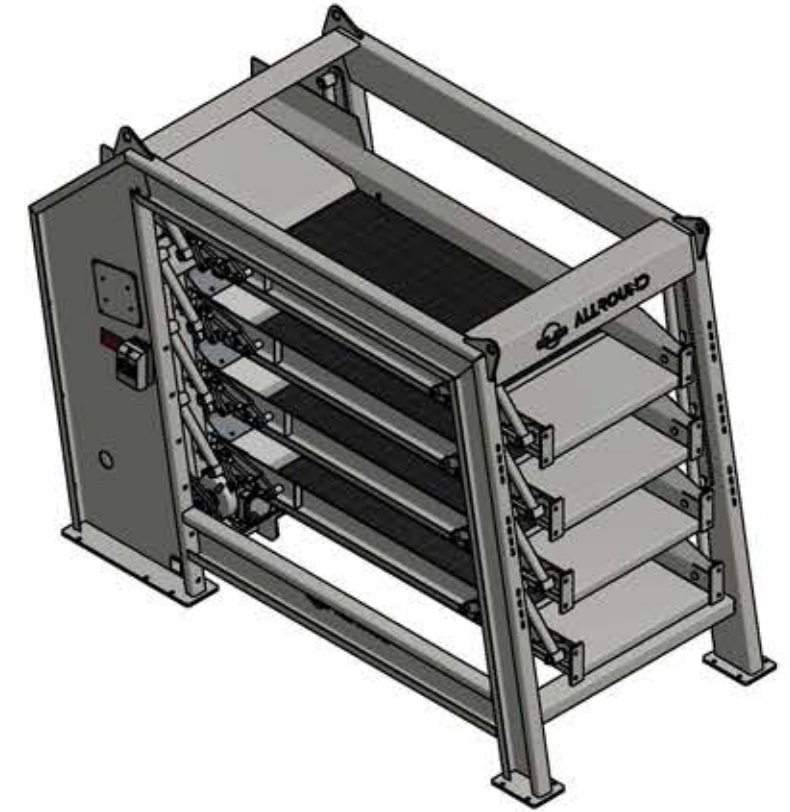
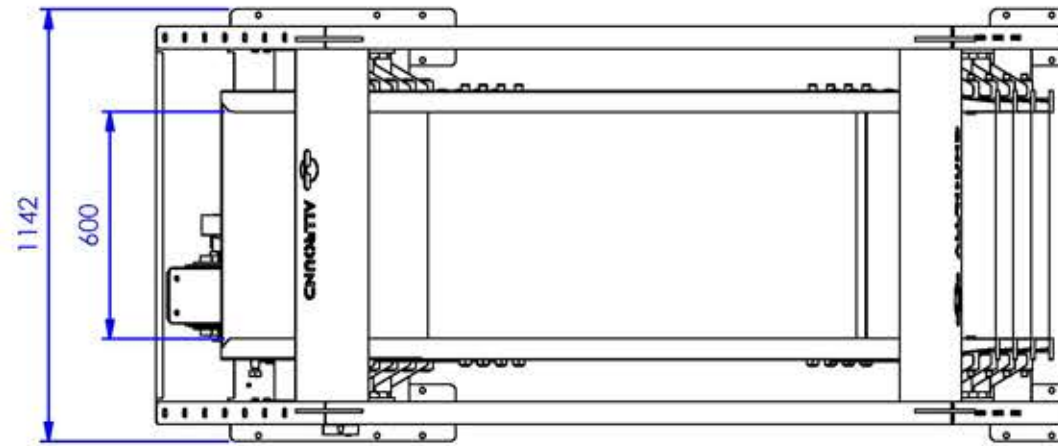
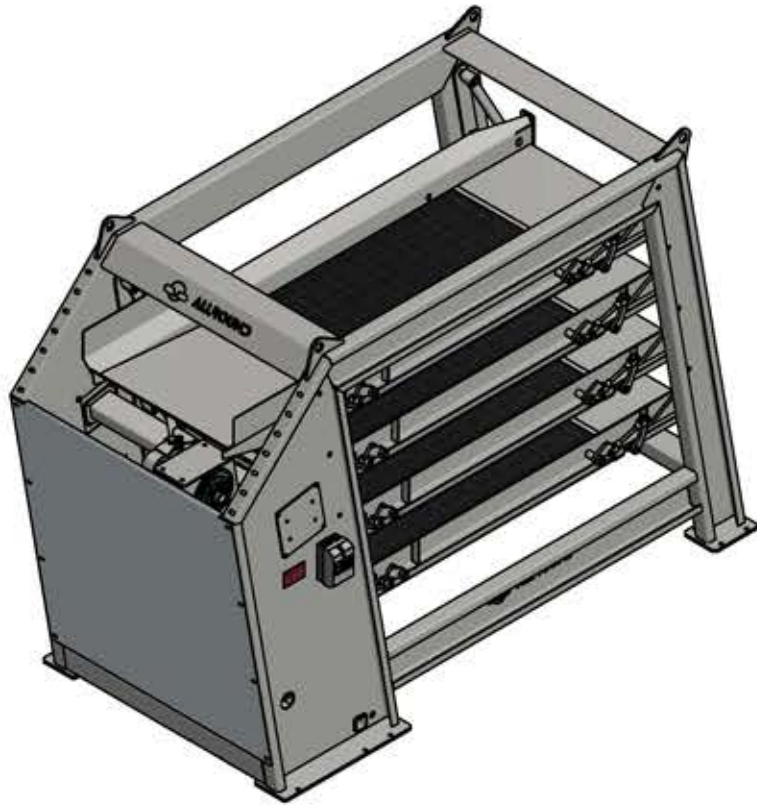


SG 60-4



For discussion only!
 The dimensions are approximately.
 We are free to resize and change the machines,
 when we deem it necessary.

Tol principle: ISO 8015	General tolerances: ISO 20768	Fit system: ISO 286	Geometrical tolerancing: ISO 1101
Project: Shake grader - -			
Description: SG 60-4			
Surface:			
Engineer: SRPL	Scale: 1 : 20	00036408	Revision: 01
Date: 8/13/2019	Sheet size: A3		
Unit: mm		Sheet: 1 of 2	

