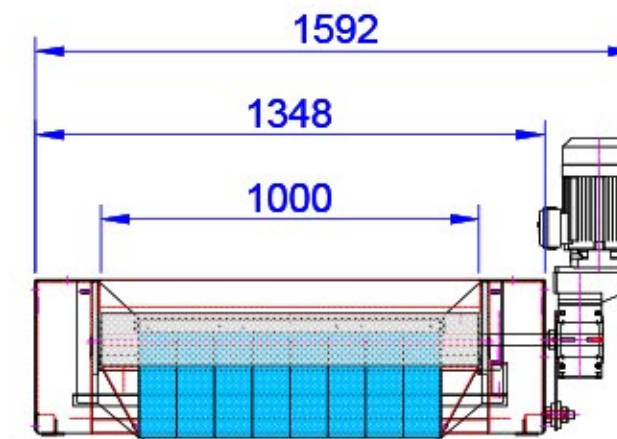
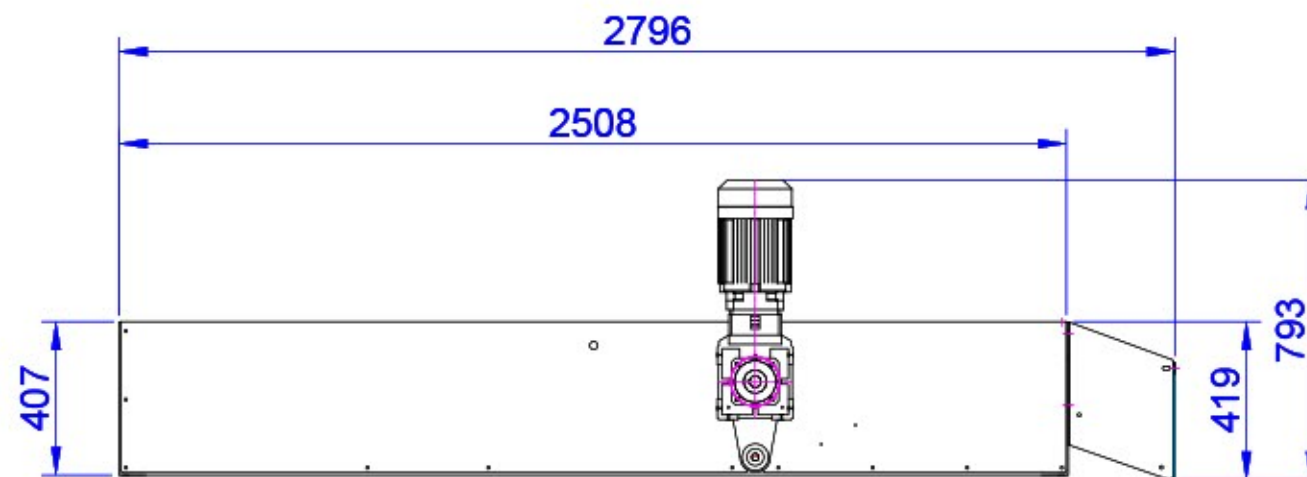
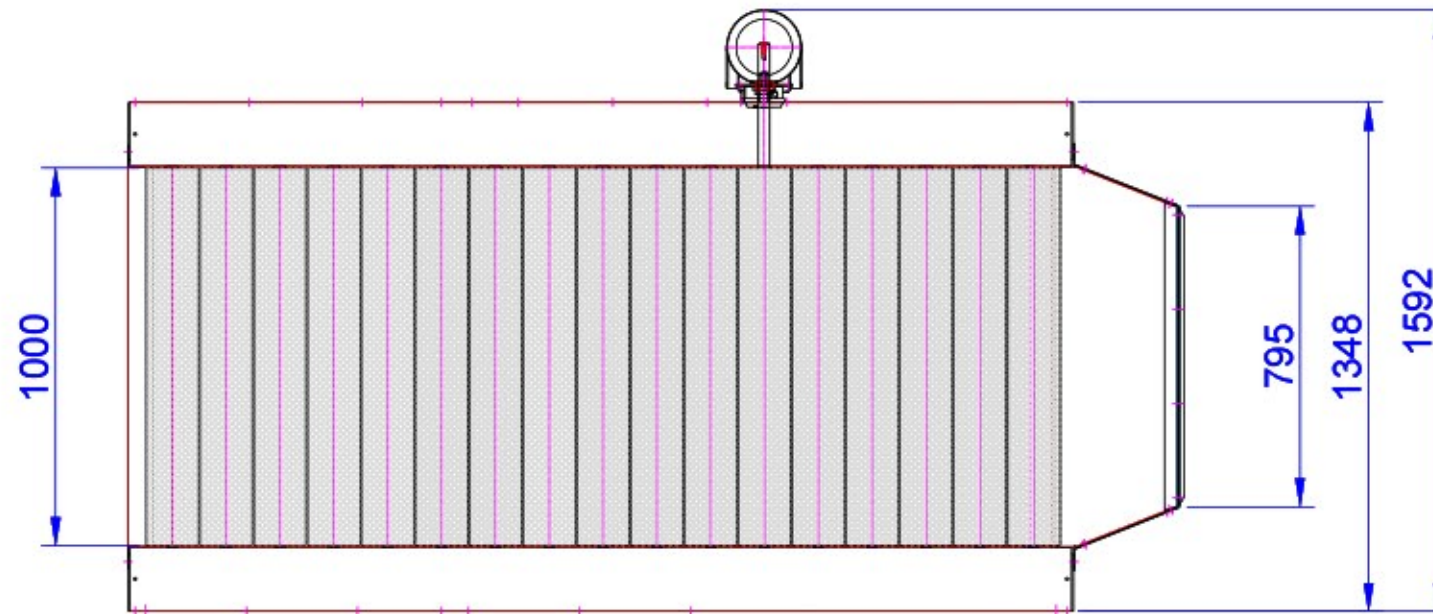



DR 100-17

THIS SKETCH IS ONLY FOR DISCUSSION!
FINAL LAYOUT FOR APPROVEMENT WILL BE
SEND AFTER ORDER



For discussion only!
The dimensions are approximately.
We are free to resize and change the machines,
When we deem it necessary.

Pos	Qty	Description:	Material:	Dimension:	Note:
		 Dryer 100-17			
		Engineer: DK	Project: Standard	Product: PRODUCT	
		Checked by: SR	Drawing Nr: 01	Capacity:	
		Scale: 1:20 A3	Date: 07-2021	Box Size:	