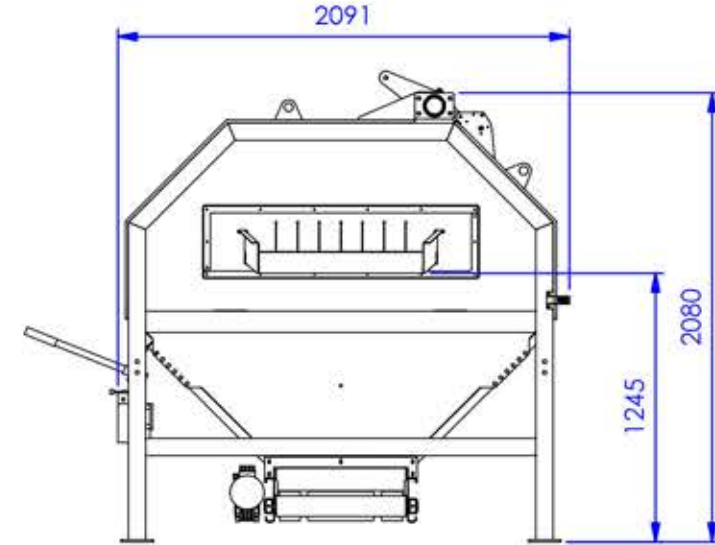
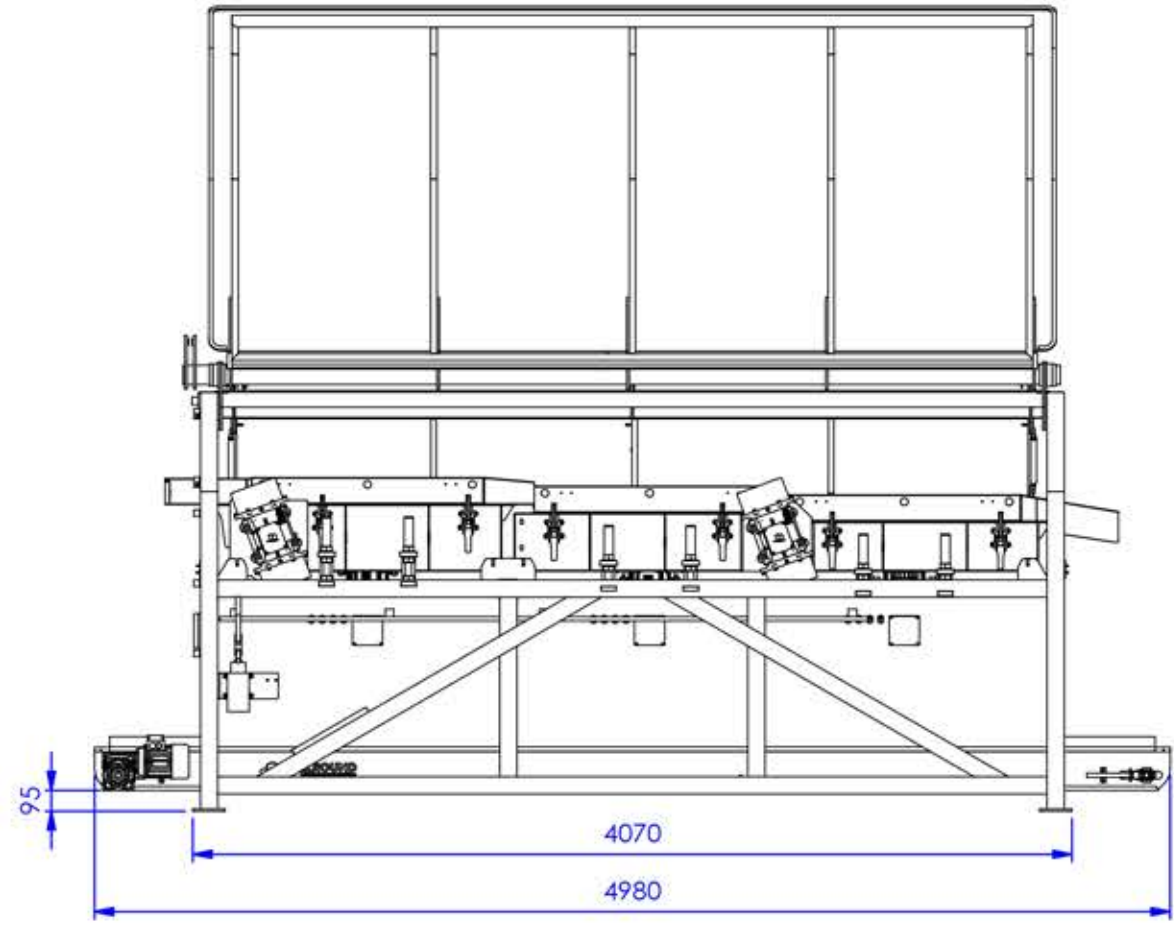
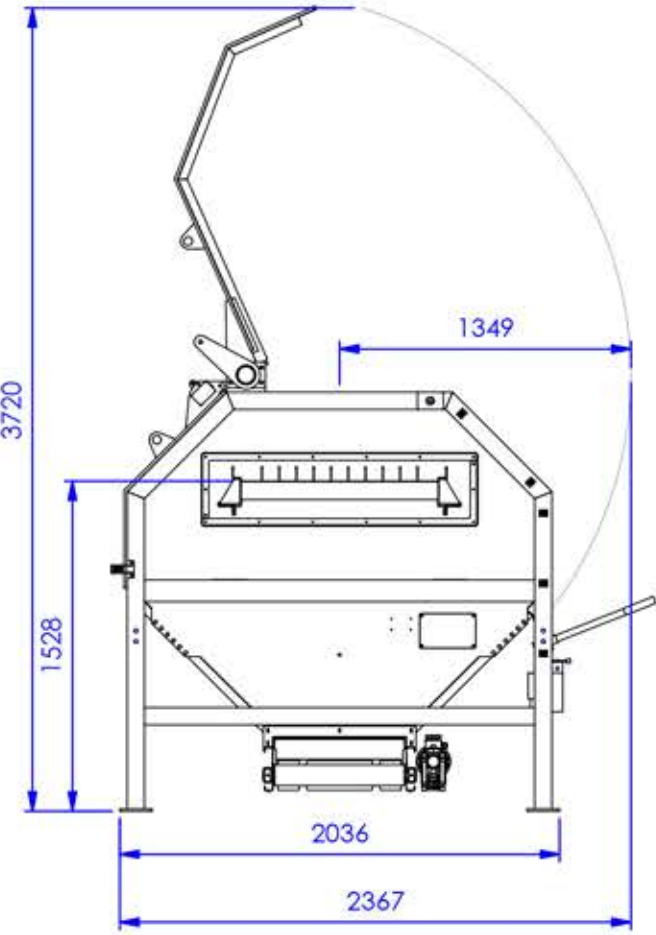
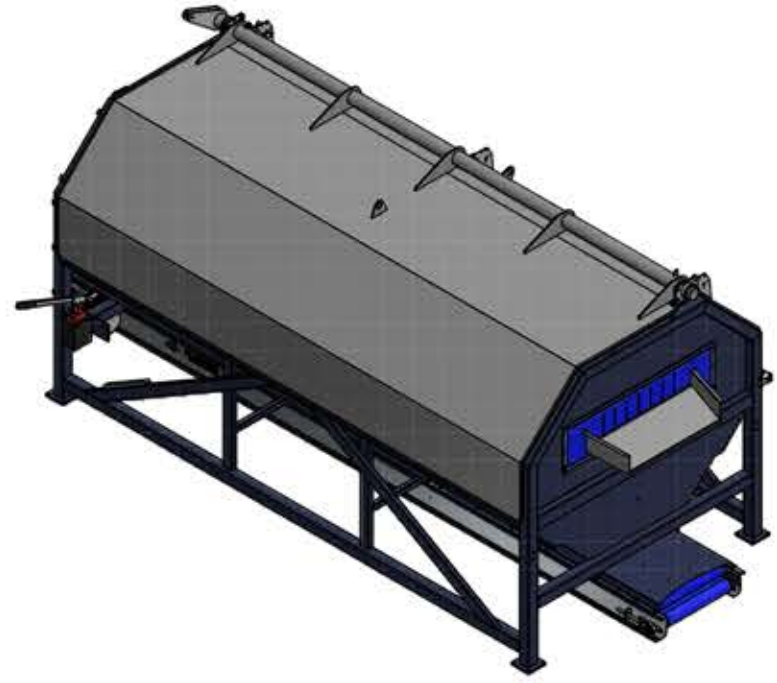
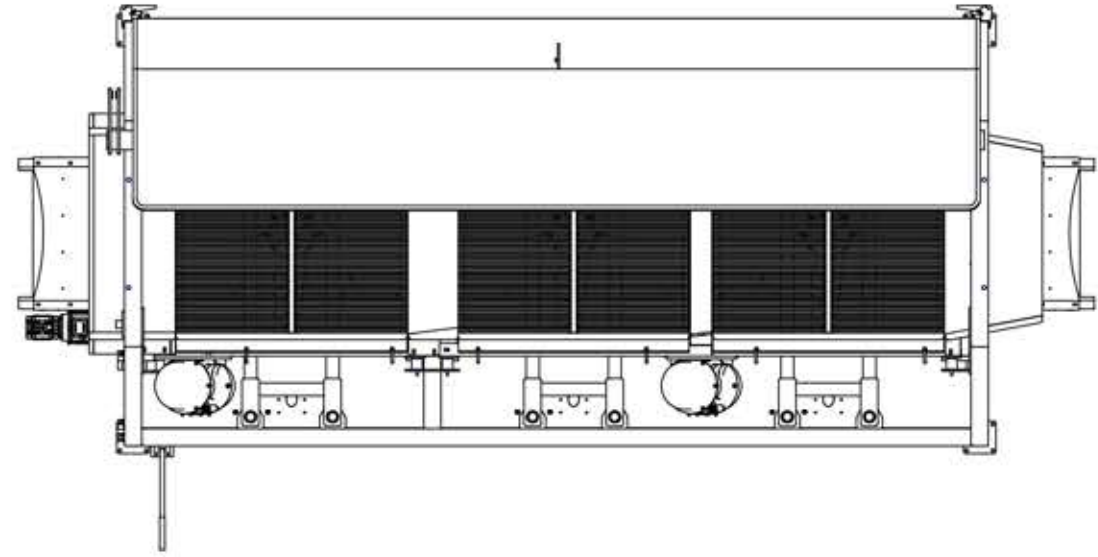


A3 (Big door)



For discussion only!
 The dimensions are approximately.
 We are free to resize and change the machines,
 when we deem it necessary.

Tol principle: ISO 8015		General tolerances: ISO 20768		Fit system: ISO 286		Geometrical tolerancing: ISO 1101	
Project: Onion Topper							
Description: A3							
Surface:							
Engineer: SRPL	Scale: 1 : 35	00027194				Revision: 02	
Date: 28-6-2019	Sheet size: A3						
Unit: mm		Sheet: 2 of 8					

